

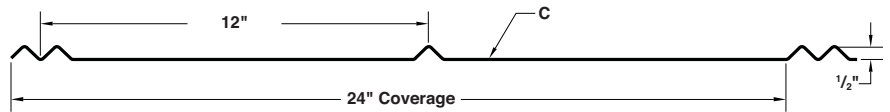
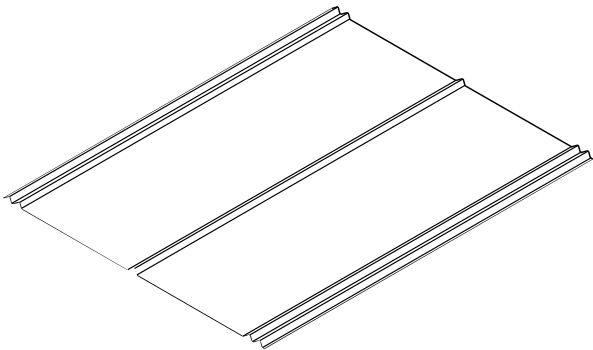
Toll free (800) 728-4010
Phone (423) 479-METAL
Fax (423) 728-3066



Address:
1652 South Lee Hwy.
Cleveland, TN 37311

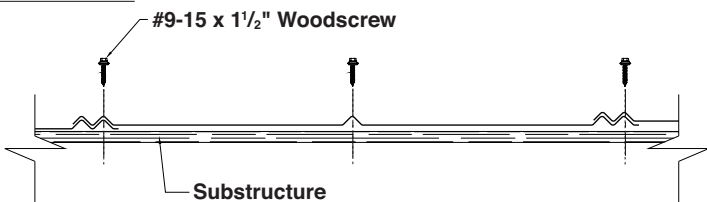
5V-Crimp Panel

- Screw Down Panel
- 45 Year Warranty on Painted
- 25 Year Warranty on Galvalume
- Custom Cut to the half-inch
- 24" Width
- Galvalume or Painted
- 29 or 26 Gauge Thickness
- Minimum Slope: 3:12
- Architectural Residential Panel
- Recommended for use over Solid Substrate or Open Framing

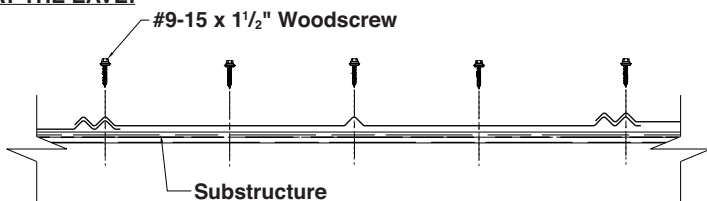


FASTENING PATTERNS

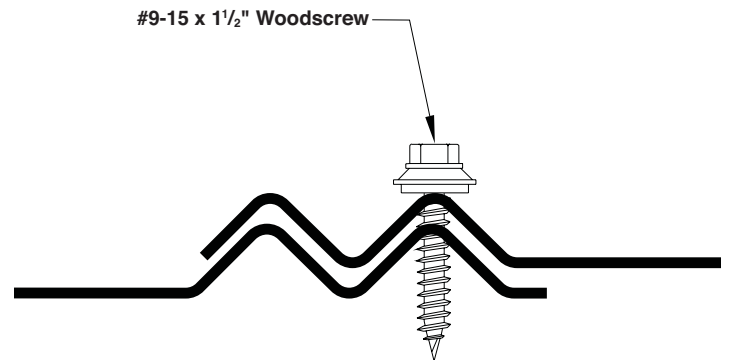
IN THE FEILD:



AT THE EAVE:



ATTACHMENT DETAIL



Best Buy Metals

Toll Free 1-800-728-4010 / Phone 423-479-METAL / Fax 423-728-3066

www.BestBuyMetals.com