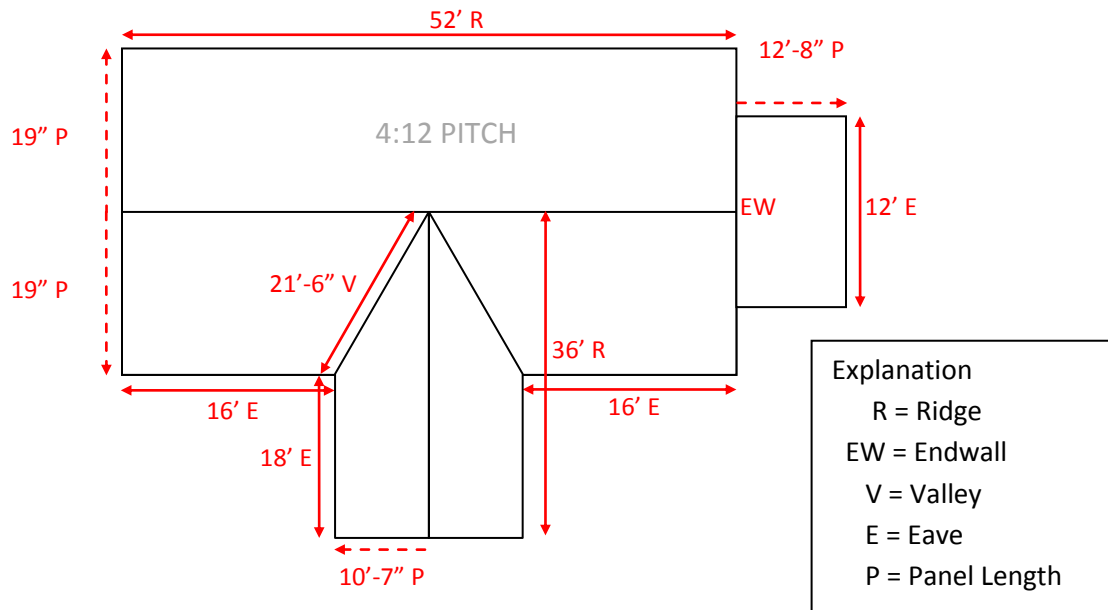


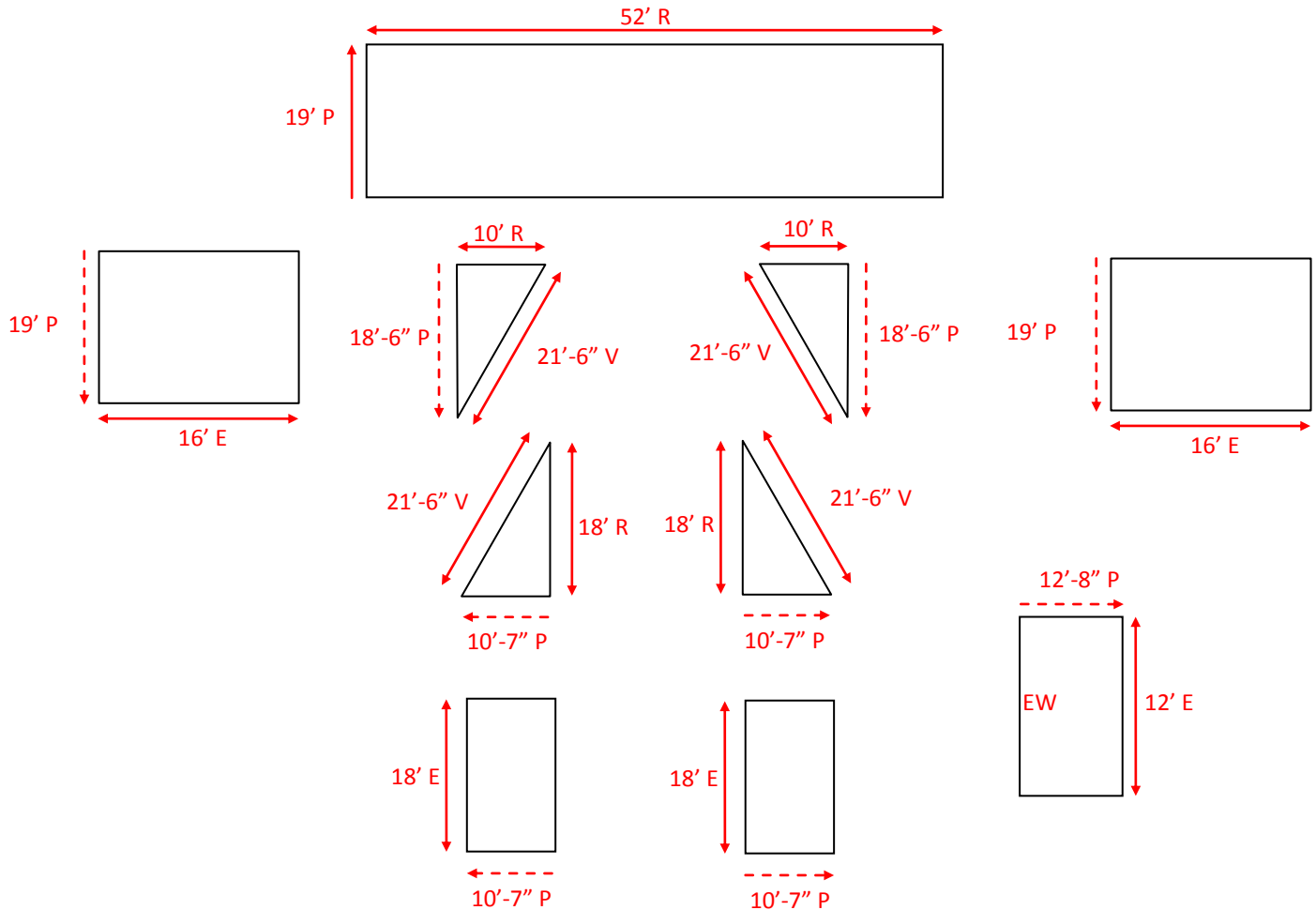
## HOW TO FIGURE METAL ROOFING MATERIALS

- The first step in figuring your metal roofing is to make a sketch of it, complete with the roof measurements. Take the house below as an example:



**Note:** From here you can just present us with this drawing and the product you want figured, and from there we'll do the rest, figuring both the panels and trim you need. Be sure to include the completed form on page 7.

2. The second step is to break it into rectangles and triangles like this:



Explanation	
R	= Ridge
EW	= Endwall
V	= Valley
E	= Eave
P	= Panel Length

3. The next step depends on what type of metal roofing you are figuring: small shingles such as KasselWood or cut to length vertical panels such as Tuff-Rib. For vertical panels, skip to the next page. For shingles, read on.

### Figuring Metal Shingles

<b>Shingles</b>	
<p><b>Rectangles:</b></p> <p>Multiply the length by the height to find the square footage of each rectangular section</p>	<p><b>Triangles:</b></p> <p>Multiply the length by the height, then divide by 2 to find the square footage of each triangular section</p>
<p>Add the square footage up for all sections and add them together. Add approximately 10% for waste</p>	

<b>Trim</b>	
<p>Add up the total footage of each type of trim; ridge, gable, eave, valley, transition, endwall, sidewall, etc and put it in a list like this:</p>	<ul style="list-style-type: none"> <li>• Ridge – 88 feet</li> <li>• Gable – 124 feet</li> <li>• Eave – 132 feet</li> <li>• Valley – 44 feet</li> <li>• Endwall – 12 feet</li> </ul>
<p>Again with the trim it is recommended that you add about 10% for waste, trim laps, etc...</p>	

**Just present us with this list and we'll take it from here, carefully figuring all the correct pieces you need.  
Be sure to include the completed form on page 7.**

## Figuring Vertical Panel Materials:

<b>Panels</b>	
<p><b>Rectangles:</b></p> <p>Divide the width of each section by the width of the panel you are using to get the number of panels. Specify the panel lengths, to the half-inch.</p> <p>In this example, for a 3' wide panel you would need 6pc at 18' 6" long for this section.</p> <div style="text-align: center;"> </div>	<p><b>Triangles:</b></p> <p>Measure each panel getting shorter every X length across (replace X with the width of your panel). There will be one panel of each length for each triangle.</p> <div style="text-align: center;"> </div> <p>Or ask about an Excel spreadsheet where you plug in the panel length, base, and panel width to find out how much shorter each panel needs to be.</p> <p>Or if you don't mind a little waste, divide the width (10' in this case) by the width of the panel you are using to get the number of panels. The length is as needed.</p> <p>If you did it this way for the above example, for a 3' wide panel you would need 4pc at 18' 6" long for this section.</p>
<p>Make a list showing the quantity needed for each length. We recommend that you add 2 panels of the longest length.</p>	

<b>Trim</b>	
<p>Add up the total footage of each type of trim; ridge, gable, eave, valley, transition, endwall, sidewall, etc and put it in a list like this:</p>	<ul style="list-style-type: none"> <li>• Ridge – 88 feet</li> <li>• Gable – 124 feet</li> <li>• Eave – 132 feet</li> <li>• Valley – 44 feet</li> <li>• Endwall – 12 feet</li> </ul>
<p>It is recommended that you add about 10% to each trim quantity for waste, trim laps, etc...</p>	

**Just present us with this list and we'll take it from here, carefully figuring all the correct pieces you need.  
Be sure to include the completed form on page 7.**







Toll Free 1-800-728-4010  
 Phone 423-479-6382  
 Fax 423-728-3066  
[www.bestbuymetals.com](http://www.bestbuymetals.com)

## QUOTE REQUEST SHEET – METAL ROOFING

Fill this sheet out and send it along with your materials list or drawing, and we'll gladly figure up the cost.  
 We can then email or fax it directly to you.

<b>Name:</b>		<b>Date:</b>	
<b>Phone:</b>		<b>Important Additional Information:</b> (If you know the pitch(es) of your roof, please include them here.)	
<b>Cell: (optional)</b>			
<b>Fax: (optional)</b>			
<b>Email: (optional)</b>			
<b>Shipping Address:</b>			
<b>Product(s):</b> (If applicable also specify gauge and whether you would like it painted or bare mill finish)			
<b>Circle One:</b>	<i>Vented Ridge</i> <i>Non-Vented Ridge</i> <i>Figure Both as options</i>		
<b>Circle One:</b>	<i>Include Synthetic Underlayment as an option</i> <i>Don't Include Underlayment</i>		
<b>Circle One:</b>	<i>Include Ice &amp; Water Shield at Eaves, Valleys &amp; Dormers as an option</i> <i>Don't Include Ice &amp; Water Shield</i>		

Fax to 423-728-3066	Or	Email to <a href="mailto:info@bestbuymetals.com">info@bestbuymetals.com</a>
---------------------	----	---