



**BUILDING CODE COMPLIANCE OFFICE (BCCO)
PRODUCT CONTROL DIVISION**

**MIAMI-DADE COUNTY, FLORIDA
METRO-DADE FLAGLER BUILDING
140 WEST FLAGLER STREET, SUITE 1603
MIAMI, FLORIDA 33130-1563
(305) 375-2901 FAX (305) 375-2908**

NOTICE OF ACCEPTANCE (NOA)

**Metal Sales Manufacturing Corporation
545 South 3rd Street, Suite 200
Louisville, KY 40202**

SCOPE:

This NOA is being issued under the applicable rules and regulations governing the use of construction materials. The documentation submitted has been reviewed by Miami-Dade County Product Control Division and accepted by the Board of Rules and Appeals (BORA) to be used in Miami Dade County and other areas where allowed by the Authority Having Jurisdiction (AHJ).

This NOA shall not be valid after the expiration date stated below. The Miami-Dade County Product Control Division (In Miami Dade County) and/or the AHJ (in areas other than Miami Dade County) reserve the right to have this product or material tested for quality assurance purposes. If this product or material fails to perform in the accepted manner, the manufacturer will incur the expense of such testing and the AHJ may immediately revoke, modify, or suspend the use of such product or material within their jurisdiction. BORA reserves the right to revoke this acceptance, if it is determined by Miami-Dade County Product Control Division that this product or material fails to meet the requirements of the applicable building code.

This product is approved as described herein, and has been designed to comply with the Florida Building Code including the High Velocity Hurricane Zone of the Florida Building Code.

DESCRIPTION: Magna-Loc 16" 24ga Steel Non-Structural Roof Panel over Steel Deck

LABELING: Each panel shall bear a permanent label with the manufacturer's name or logo, city, state and the following statement: "Miami-Dade County Product Control Approved", unless otherwise noted herein.

RENEWAL of this NOA shall be considered after a renewal application has been filed and there has been no change in the applicable building code negatively affecting the performance of this product.

TERMINATION of this NOA will occur after the expiration date or if there has been a revision or change in the materials, use, and/or manufacture of the product or process. Misuse of this NOA as an endorsement of any product, for sales, advertising or any other purposes shall automatically terminate this NOA. Failure to comply with any section of this NOA shall be cause for termination and removal of NOA.

ADVERTISEMENT: The NOA number preceded by the words Miami-Dade County, Florida, and followed by the expiration date may be displayed in advertising literature. If any portion of the NOA is displayed, then it shall be done in its entirety.

INSPECTION: A copy of this entire NOA shall be provided to the user by the manufacturer or its distributors and shall be available for inspection at the job site at the request of the Building Official.

This NOA consists of pages 1 through 6.

The submitted documentation was reviewed by Alex Tigera.



**NOA No.: 08-1014.08
Expiration Date: 12/12/13
Approval Date: 12/12/08
Page 1 of 6**

ROOFING SYSTEM APPROVAL:

Category: Roofing
Sub-Category: Metal, Panels(Non-Structural)
Material: Steel
Maximum Design Pressure -138.5 psf

TRADE NAMES OF PRODUCTS MANUFACTURED OR LABELED BY APPLICANT:

| <u>Product</u> | <u>Dimensions</u> | <u>Test Specifications</u> | <u>Product Description</u> |
|--|---|----------------------------|---|
| Magna-Loc 16" 24ga Steel Non-Structural Roof Panel | l = various w = 16" min. 24 ga. | TAS 110 & TAS 125 | Preformed, standing seam, coated, prefinished, steel panels. |
| Magna-Loc Two Piece Clip | Length (Top): 4-1/4" Length (Bottom): 3-1/2" Width (Bottom): 1 1/2" Height: 2 1/2" Thickness: 0.064 | TAS 125 | Two-piece metal clip. |
| Trim Pieces | l = varies w = varies | TAS 110 | Coated steel or aluminum trim pieces. |

EVIDENCE SUBMITTED

| Test Agency | Test Identifier | Test Name/Report | Date |
|---|------------------------|-------------------------------------|-------------|
| Valspar Corporation | Various | Salt Spray, ASTM B117 | 05/10/06 |
| Valspar Corporation | Various | Accelerated Weathering, ASTM G23 | 05/10/06 |
| Farabaugh Engineering and Testing Inc. | T247-08 | TAS 100 | 08/26/08 |
| Farabaugh Engineering and Testing Inc. | T262-08 | TAS 125 | 10/03/08 |



APPROVED ASSEMBLIES

- SYSTEM A:** Magna-Loc 16" 24ga Steel Non-Structural Roof Panel
- Deck Type:** Steel, Insulated
- Deck Description:** Metal roof deck 22 MSG grade A. coated steel. Panel continuous over two or more spans without endlaps..
- Slope Range:** 2":12" or greater
- Maximum Uplift Pressure:** See Table A Below
-
- Deck Attachment:** Minimum 22 gage steel deck shall be secured to structural supports spaced a maximum of 2 ft o.c. with **one (1)** #12 x 1-½" Hex Washer Head self drilling screws fastened at the bottom of each flute (6" o.c.). Deck sidelaps shall be fastened 6" o.c. with #12 x 1-½" Hex Head self drilling screws.
- Insulation:** Minimum ¾" thick and Maximum 4" thick of an approved rigid board insulation with current NOA having a minimum 25psi compressive strength fastened with approved fasteners and plates. Fastening density shall be in compliance with applicable Building Code and Roofing Application Standard RAS 117.
- Valleys:** Valley construction shall be in compliance with Roofing Application Standard RAS 133 and with Metal Sales Manufacturing Corporation's current published installation instructions.
- Fire Barrier Board:** Any approved fire barrier having a current NOA. Or for class A or B fire rating, install minimum ¼" thick Georgia Pacific "Dens Deck" (with current NOA) or minimum 4mm thick of Tritex, RockRoof (with current NOA) or 5/8" water resistant type X gypsum sheathing with treated core and facer.
- Metal Panels and Accessories:** Install the " Magna-Loc 16" 24ga Steel Non-Structural Roof Panel" and accessories in compliance with Metal Sales Manufacturing Corporation's current, published installation instructions and details. Flashing, penetrations, valley construction and other details shall be constructed in compliance with the minimum requirements provided in Roofing Application Standards RAS 133.
- Panels shall be installed with approved "Magna-Loc Two-Piece Clips" over the male rib side lap spaced at a maximum listed in Table A below, parallel to the roof slope, fastened with two (2) #14-13 screws of sufficient length for minimum ½" penetration through the structural deck. All clips shall be placed on top of a the 4" x 5" x 20ga. bearing plate over the insulation. Install the adjacent panel with the female end over the male and clip seam. Seam the panels with a mechanical seamer to form a 90° seam.

| Table A – Maximum Design Pressures | | | |
|---|------------------|--|--|
| Roof Area | Field | Perimeter and Corner¹ Option 1 | Perimeter and Corner¹ Option 2 |
| Maximum Design Pressure: | -52.5 psf | -101 psf | -138.5 psf |
| Maximum Clip Spacing: | 48" o.c. | 30" o.c. | 8" o.c. |
| 1. Extrapolation not allowed | | | |



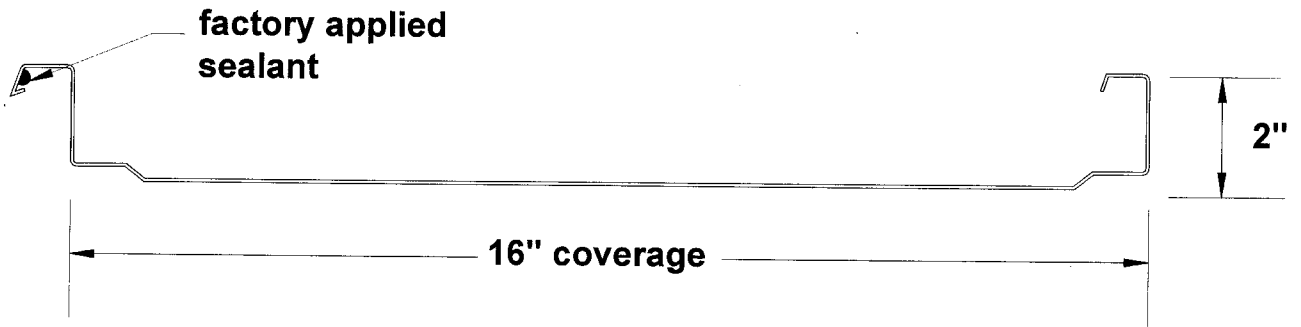
SYSTEM LIMITATIONS

1. The maximum designed pressure listed herein shall be applicable to all roof pressure zones (i.e. field, perimeters, and corners). Neither rational analysis, nor extrapolation shall be permitted for enhanced fastening at enhanced pressure zones (i.e. perimeters, extended corners and corners).
2. Fire Classification is not part of this acceptance; refer to a current Approved Roofing Materials Directory for fire ratings of this product.
3. All panels shall be permanently labeled with the manufacturer's name or logo, and the following statement: "Miami-Dade County Product Control Approved."
4. Panels shall be roll formed in continuous lengths from eave to ridge. Maximum lengths shall be as described in Miami-Dade County Roofing Application Protocol RAS 133.
5. All products listed herein shall have a quality assurance audit in accordance with the Florida Building Code and Rule 9B-72 of the Florida Administrative Code.

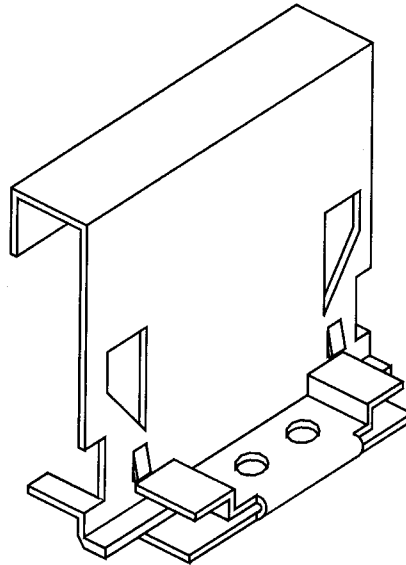


PROFILE DRAWINGS

DETAIL A



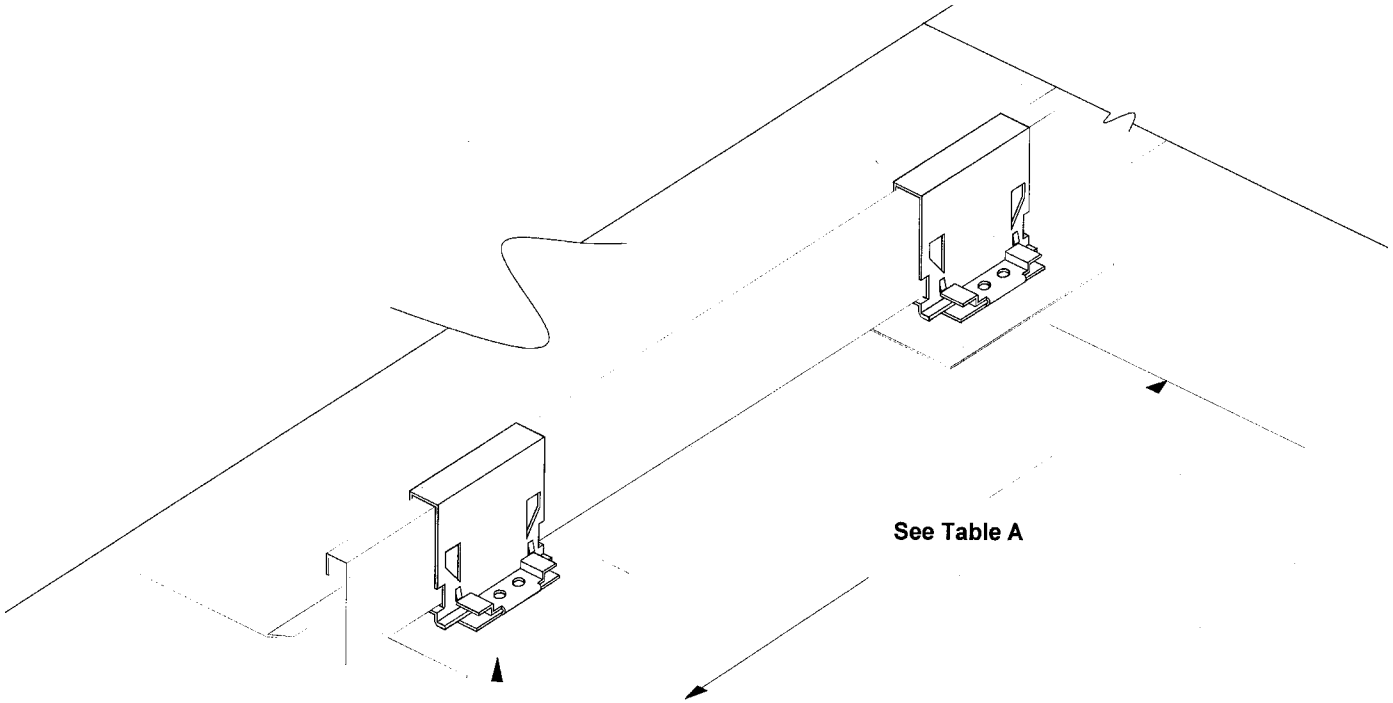
MAGNA-LOC 16" WIDE 24 GA. ROOF PANELS



MAGNA-LOC TWO-PIECE CLIP



DETAIL B



Bearing Plate

END OF THIS ACCEPTANCE