

Toll free (800) 728-4010

Phone (423) 479-6382

Fax (423) 728-3066



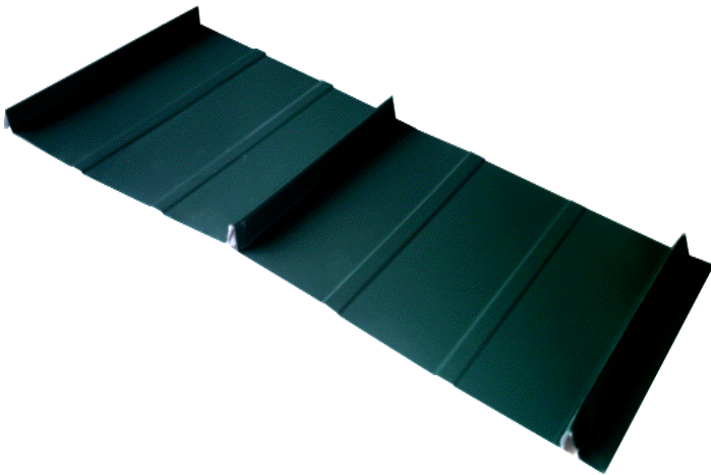
Address:

1652 South Lee Hwy.

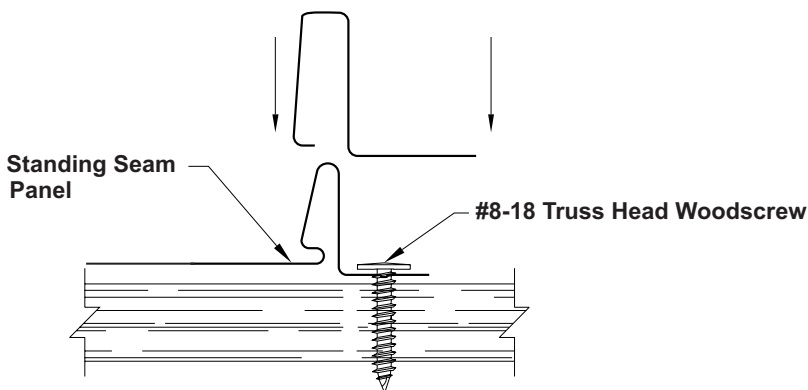
Cleveland, TN 37311

Standing Seam / Image II

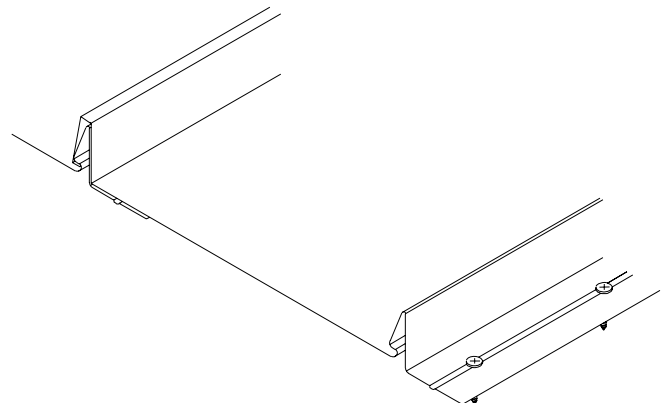
- Hidden Fastener System
- 30-45 Year Warranty
- Cut to the inch
- 12 or 16" Width
- High Quality Paint System
- 26 or 24 Gauge Thickness
- Minimum Slope: 3:12
- Architectural Residential Panel
- Recommended for use over Solid Substrate



ATTACHMENT DETAIL



FASTENING PATTERN



Best Buy Metals

Toll Free 1-800-728-4010 / Phone 423-479-6382 / Fax 423-728-3066

www.BestBuyMetals.com