



**BUILDING CODE COMPLIANCE OFFICE (BCCO)
PRODUCT CONTROL DIVISION**

**MIAMI-DADE COUNTY, FLORIDA
METRO-DADE FLAGLER BUILDING
140 WEST FLAGLER STREET, SUITE 1603
MIAMI, FLORIDA 33130-1563
(305) 375-2901 FAX (305) 375-2908**

NOTICE OF ACCEPTANCE (NOA)

**Metal Sales Manufacturing Corporation
7800 State Road 60
Sellersburg, IN 47172**

SCOPE:

This NOA is being issued under the applicable rules and regulations governing the use of construction materials. The documentation submitted has been reviewed by Miami-Dade County Product Control Division and accepted by the Board of Rules and Appeals (BORA) to be used in Miami Dade County and other areas where allowed by the Authority Having Jurisdiction (AHJ).

This NOA shall not be valid after the expiration date stated below. The Miami-Dade County Product Control Division (In Miami Dade County) and/or the AHJ (in areas other than Miami Dade County) reserve the right to have this product or material tested for quality assurance purposes. If this product or material fails to perform in the accepted manner, the manufacturer will incur the expense of such testing and the AHJ may immediately revoke, modify, or suspend the use of such product or material within their jurisdiction. BORA reserves the right to revoke this acceptance, if it is determined by Miami-Dade County Product Control Division that this product or material fails to meet the requirements of the applicable building code.

This product is approved as described herein, and has been designed to comply with the High Velocity Hurricane Zone of the Florida Building Code.

DESCRIPTION: Stile TM Metal Roofing System

LABELING: Each unit shall bear a permanent label with the manufacturer's name or logo, city, state and following statement: "Miami-Dade County Product Control Approved", unless otherwise noted herein.

RENEWAL of this NOA shall be considered after a renewal application has been filed and there has been no change in the applicable building code negatively affecting the performance of this product.

TERMINATION of this NOA will occur after the expiration date or if there has been a revision or change in the materials, use, and/or manufacture of the product or process. Misuse of this NOA as an endorsement of any product, for sales, advertising or any other purposes shall automatically terminate this NOA. Failure to comply with any section of this NOA shall be cause for termination and removal of NOA.

ADVERTISEMENT: The NOA number preceded by the words Miami-Dade County, Florida, and followed by the expiration date may be displayed in advertising literature. If any portion of the NOA is displayed, then it shall be done in its entirety.

INSPECTION: A copy of this entire NOA shall be provided to the user by the manufacturer or its distributors and shall be available for inspection at the job site at the request of the Building Official.

This NOA renews #07-0727.01 and consists of pages 1 through 5.
The submitted documentation was reviewed by Alex Tigera.

**NOA No 08-0229.11
Expiration Date: 06/29/13
Approval Date: 05/15/08
Page 1 of 5**



ROOFING SYSTEM APPROVAL:

Category: Roofing
Sub-Category: Metal, Panels (Non-Structural)
Material: Steel
Deck Type: Wood
Maximum Design Pressure: -149.6 psf. (See System Limitation #1)

TRADE NAMES OF PRODUCTS MANUFACTURED OR LABELED BY APPLICANT:

<u>Product</u>	<u>Dimensions</u>	<u>Test Specifications</u>	<u>Product Description</u>
Stile Metal Roof	l = 3' to 20' w = 42.3" h = 1.18" min. Thickness 0.019 inch	TAS 110	Corrosion resistant, galvanized, preformed, coated, prefinished, metal panels.
Trim Pieces	l = varies w = varies min. Thickness 0.019 inch.	TAS 110	Standard flashing and trim pieces. Manufactured for each panel width.

EVIDENCE SUBMITTED:

<u>Test Agency</u>	<u>Test Identifier</u>	<u>Test Name/Report</u>	<u>Date</u>
Akzo Coatings		ASTM G 23 ASTM B 117	
Valspar Corporation		ASTM G 23 ASTM B 117	
Underwriters Laboratory	R9697	UL 790	July 1998
PRI Construction Materials	MSMC-002-02-01	TAS-100	May 2007
Celotex Corporation Testing Services	MTS 520103	ASTM E 8	Jan. 1999
Hurricane Test Laboratory, Inc.	0103-1213-98	PA 125	Dec. 1998
Farabaugh Engineering and Testing Inc.	T209-07	TAS 125	June 2007

NOA No 08-0229.11
Expiration Date: 06/29/13
Approval Date: 05/15/08
Page 2 of 5



APPROVED ASSEMBLIES:

SYSTEM A: STILE Metal Roof Panel
Deck Type: Wood, Non-insulated
Deck Description: New Construction or Re-roof
¹⁹/₃₂" or greater plywood or wood plank.
Maximum Uplift Pressure: The maximum allowable design pressure for the STILE metal panel shall be -149.6 psf

Deck Attachment: In accordance with applicable Building Code, but in no case shall it be less than 8d ring shank nails spaced 6" o.c. In reroofing, where the deck is less than ¹⁹/₃₂" thick (Minimum ¹⁵/₃₂") the above attachment method must be in addition to existing attachment.

Underlayment: Minimum underlayment shall be an ASTM D 226 Type II installed with a minimum 4" side-lap and 6" end-laps. Underlayment shall be fastened with corrosion resistant tin-caps and 12 gauge 1 1/4" annular ring-shank nails, spaced 6" o.c. at all laps and two staggered rows 12" o.c. in the field of the roll. Or, any approved underlayment having a current NOA.

Valleys: Valley construction shall be in compliance with Roofing Application Standard RAS 133 and with Metal Sales Manufacturing Corporation's current published installation instructions.

Fire Barrier Board: Any approved fire barrier having a current NOA. Or for class A or B fire rating, install minimum 1/4" thick Georgia Pacific "Dens Deck" (with current NOA) or minimum 4mm thick of Tritex, RockRoof (with current NOA) or 5/8" water resistant type X gypsum sheathing with treated core and facer.

Metal Panels and Accessories: Install the "STILE Panels" and accessories in compliance with Metal Sales Manufacturing Corporation's current, published installation instructions and details. Flashing, penetrations, valley construction and other details shall be constructed in compliance with the minimum requirements provided in Roofing Application Standards RAS 133.

Panel fasteners shall be 1/4"-14 x ABMP Woodgrip self drilling, self tapping, hex head screws with sealing washer of sufficient length to penetrate through the sheathing a minimum of ³/₁₆ inch.

Fasteners shall be installed at every other tile valley for field conditions, and at every valley for the perimeter and corner condition. Maximum fastener spacing is listed in **Table A** below. End laps shall be fastened at every tile valley (5" o.c.). All side laps shall be fastened with stainless steel pop rivets (1/8" x ³/₁₆") fastened at a maximum of 12" o.c.

TABLE A Maximum Design Pressure		
	Field	Perimeter and Corner ¹
Maximum Design Pressure	-106.8 psf.	-149.6 psf.
Maximum Fastener Spacing	24" o.c. (every second step)	12" o.c. (every step)

1. Extrapolation shall not be allowed

NOA No 08-0229.11
 Expiration Date: 06/29/13
 Approval Date: 05/15/08
 Page 3 of 5

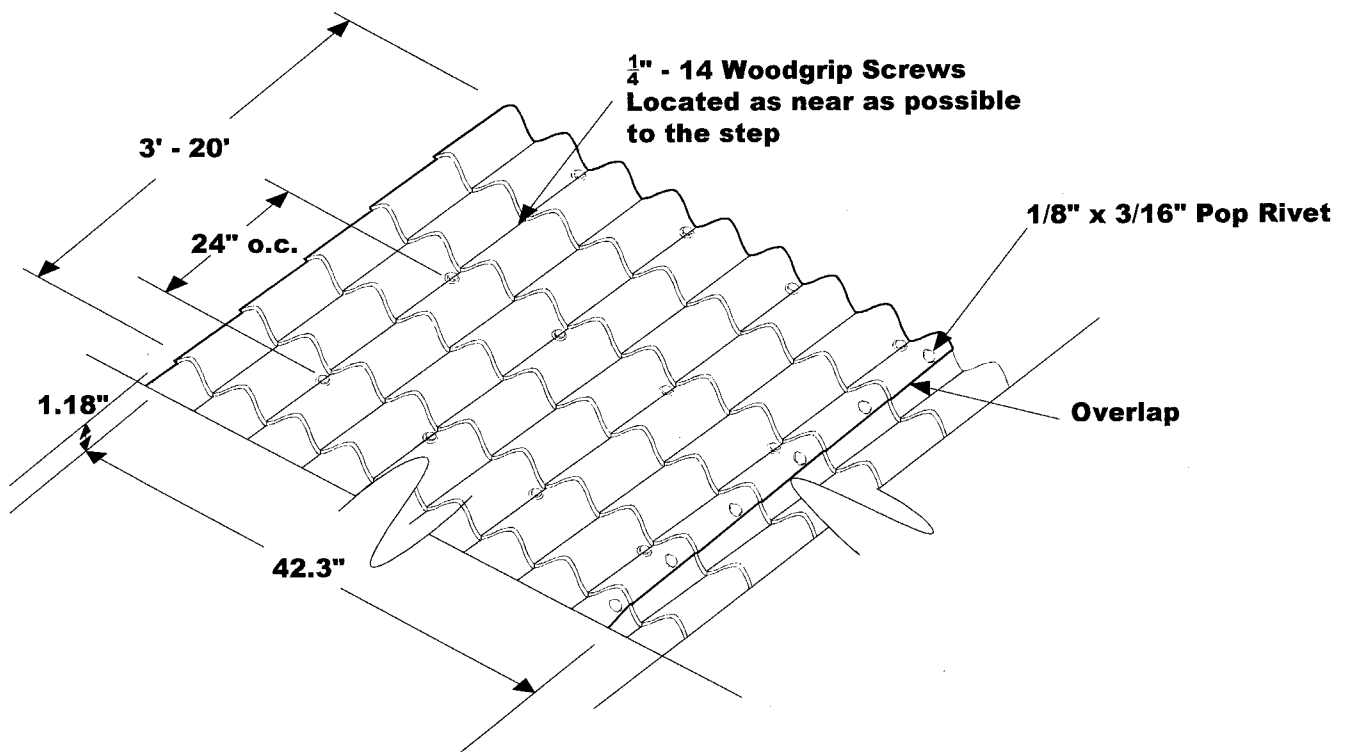


SYSTEM LIMITATIONS

1. The maximum design pressure limitation listed herein shall be applicable to all roof pressure zones (i.e. field, perimeters, and corners). Neither rational analysis, nor extrapolation shall be permitted for enhanced fastening at enhanced pressure zones (i.e. perimeters, and corners).
2. Panel shall be roll formed in continuous lengths from eave to ridge. Maximum lengths shall be described in the Roofing Application Standard RAS 133.
3. All panels shall be permanently labeled with the manufacturer's name and/or logo, and the following statement: "Miami-Dade County Product Control Approved."
4. All products listed herein shall have a quality assurance audit in accordance with the Florida Building Code and Rule 9B-72 of the Florida Administrative Code.

PROFILE DRAWING:

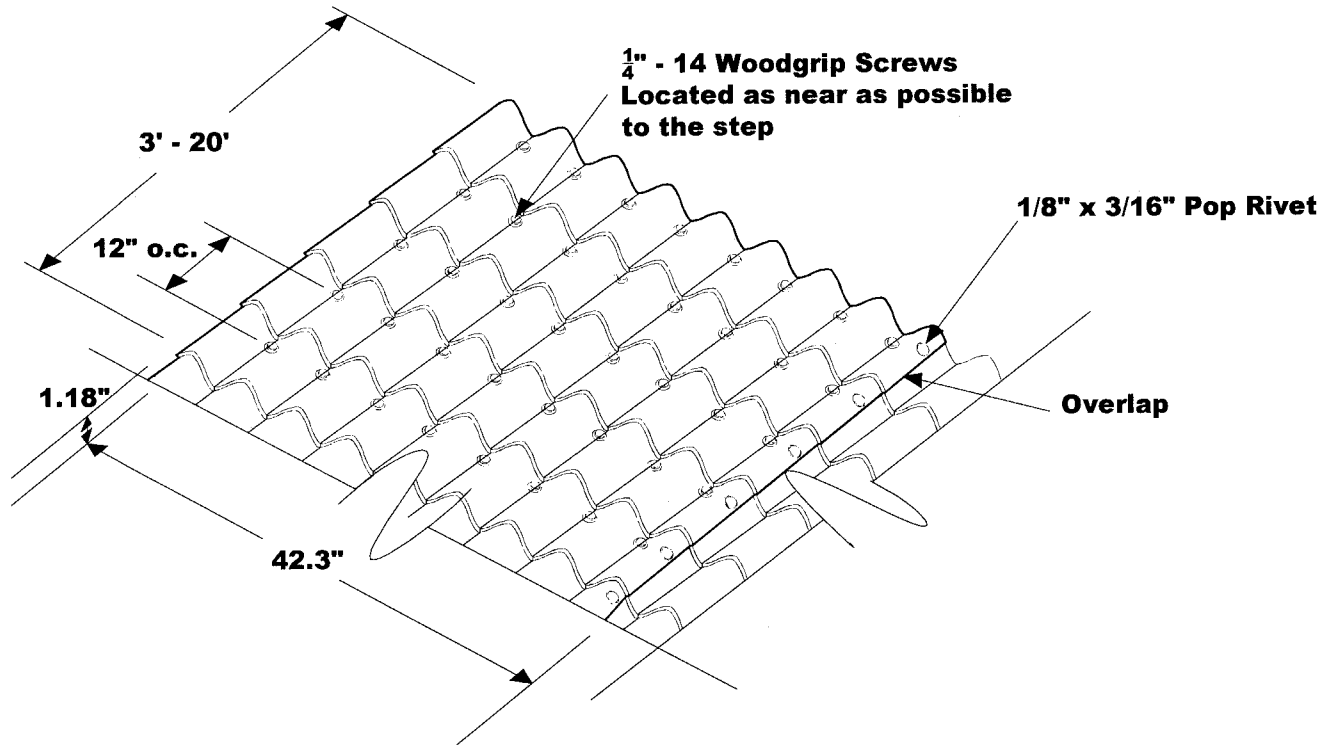
STILE METAL ROOF PANEL



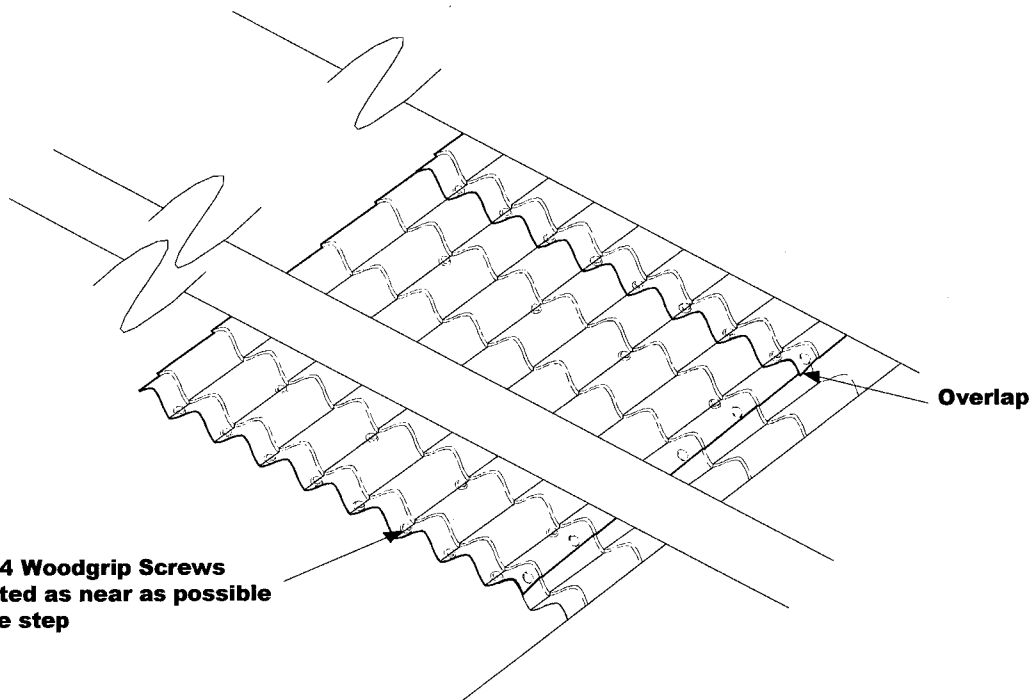
FASTENING OPTION #1 (-106.8 PSF) FIELD CONDITION



NOA No 08-0229.11
Expiration Date: 06/29/13
Approval Date: 05/15/08
Page 4 of 5



**FASTENING OPTION #2 (-149.6 PSF)
PERIMETER AND CORNER CONDITION**



PANEL EDGE AND OVERLAP DETAIL

END OF THIS ACCEPTANCE

NOA No 08-0229.11
 Expiration Date: 06/29/13
 Approval Date: 05/15/08
 Page 5 of 5

