



**BUILDING CODE COMPLIANCE OFFICE (BCCO)
PRODUCT CONTROL DIVISION**

**MIAMI-DADE COUNTY, FLORIDA
METRO-DADE FLAGLER BUILDING
140 WEST FLAGLER STREET, SUITE 1603
MIAMI, FLORIDA 33130-1563
(305) 375-2901 FAX (305) 375-2908**

NOTICE OF ACCEPTANCE (NOA)

**Metal Sales Manufacturing Corporation
7800 State Road 60
Sellersburg, IN 47172**

SCOPE:

This NOA is being issued under the applicable rules and regulations governing the use of construction materials. The documentation submitted has been reviewed by Miami-Dade County Product Control Division and accepted by the Board of Rules and Appeals (BORA) to be used in Miami Dade County and other areas where allowed by the Authority Having Jurisdiction (AHJ).

This NOA shall not be valid after the expiration date stated below. The Miami-Dade County Product Control Division (In Miami Dade County) and/or the AHJ (in areas other than Miami Dade County) reserve the right to have this product or material tested for quality assurance purposes. If this product or material fails to perform in the accepted manner, the manufacturer will incur the expense of such testing and the AHJ may immediately revoke, modify, or suspend the use of such product or material within their jurisdiction. BORA reserves the right to revoke this acceptance, if it is determined by Miami-Dade County Product Control Division that this product or material fails to meet the requirements of the applicable building code.

This product is approved as described herein, and has been designed to comply with the High Velocity Hurricane Zone of the Florida Building Code.

DESCRIPTION: Classic Rib Metal Roofing Systems

LABELING: Each panel shall bear a permanent label with the manufacturer's name or logo, city, state and the following statement: "Miami-Dade County Product Control Approved", unless otherwise noted herein.

RENEWAL of this NOA shall be considered after a renewal application has been filed and there has been no change in the applicable building code negatively affecting the performance of this product.

TERMINATION of this NOA will occur after the expiration date or if there has been a revision or change in the materials, use, and/or manufacture of the product or process. Misuse of this NOA as an endorsement of any product, for sales, advertising or any other purposes shall automatically terminate this NOA. Failure to comply with any section of this NOA shall be cause for termination and removal of NOA.

ADVERTISEMENT: The NOA number preceded by the words Miami-Dade County, Florida, and followed by the expiration date may be displayed in advertising literature. If any portion of the NOA is displayed, then it shall be done in its entirety.

INSPECTION: A copy of this entire NOA shall be provided to the user by the manufacturer or its distributors and shall be available for inspection at the job site at the request of the Building Official.

This NOA consists of pages 1 through 6.
The submitted documentation was reviewed by Alex Tigera.



**NOA No.: 06-0410.08
Expiration Date: 08/24/11
Approval Date: 08/24/06
Page 1 of 6**

ROOFING ASSEMBLY APPROVAL:

Category: Roofing
Sub-Category: Non-Structural Metal Roofing
Material: Steel
Deck Type: Wood
Maximum Design Pressure -117.75 psf. See General Limitaion #2

TRADE NAMES OF PRODUCTS MANUFACTURED OR LABELED BY APPLICANT:

| <u>Product</u> | <u>Dimensions</u> | <u>Test Specifications</u> | <u>Product Description</u> |
|-----------------------------|-----------------------------------------------------------------------------------------------|----------------------------|-------------------------------------------|
| Master Rib Metal Roof Panel | Length: varies Width: 38" (Coverage width : 36") Height: ¾" Min. Thickness 0.019" | TAS 125 | 26Ga galvanized painted Metal Roof panel. |

EVIDENCE SUBMITTED:

| <u>Test Agency</u> | <u>Test Identifier</u> | <u>Test Name/Report</u> | <u>Date</u> |
|-----------------------------------------|------------------------|-------------------------|-------------|
| Akzo Nobel Coatings, Inc. | Lab Test Certification | ASTM B-117 | |
| Valspar | Lab Test Certification | ASTM G23 | |
| PRI Asphalt Technologies, Inc. | MSMC-001-02-01 | TAS 100 | Feb. 2006 |
| Farabaugh Engineering and Testing, Inc. | T193-05 | TAS 125 | Sept. 2005 |



SYSTEM DESCRIPTION

SYSTEM A-1: Classic Rib Metal Roofing System

Deck Type: Wood, Non-insulated

Deck Description: 19/32" or greater plywood or wood plank.

Slope Range: 2": 12" or greater

Maximum Uplift Pressure: See Table A Below

Deck Attachment: In accordance with applicable Building Code, but in no case it shall be less than 8d ring shank nails or #8 x 1-3/4" screws spaced at 6" o. c. In reroofing, where the deck is less than 19/32" thick (Minimum 15/32"), the above attachment method must be in addition to existing attachment.

Underlayment: Minimum underlayment shall be an ASTM D 226 Type II installed with a minimum 4" side-laps and 6" end-laps. Underlayment shall be fastened with corrosion resistant tin-caps and 1/4" annular ring-shank nails, spaced 6" o.c. at all laps and two staggered rows 12" o.c. in the field of the roll.

Valleys: Valley construction shall be in compliance with Roofing Application Standard RAS 133 and with Metal Sales Manufacturing Corporations current published installation instructions.

Fire Barrier Board: Any approved fire barrier having an NOA. Or for class A or B fire rating, install minimum 1/4" thick Georgia Pacific "Dens Deck" (with current NOA) or minimum 4mm thick of Tritex, RockRoof (with current NOA) or 5/8" water resistant type X gypsum sheathing with treated core and facer, or Elk Corp. "Versashield" (with current NOA).

Metal Panels and Accessories: Install the "Classic Rib Metal Roofing Panel" and accessories in compliance with Metal Sales Manufacturing Corporations current published installation instructions and details. Flashing, penetrations, valley construction and other details shall be constructed in compliance with the minimum requirements provided in Roofing Application Standards RAS 133.

Classic Rib Metal Roofing Panels shall be fastened with a minimum of #9 x 1-1/2" woodgrip corrosion resistant screws. Fasteners shall of sufficient length to penetrate through the sheathing a minimum of 3/16". Side laps are fastened with 1/4"-14 x 7/8" stitch screws. Fasteners shall be place in accordance with fastener detail herein as follows:

| TABLE A Maximum Design Pressure | | |
|---------------------------------------|---------------------|-----------------------------------|
| | Field | Perimeter and Corner ¹ |
| Maximum Design Pressure | -74.75 psf | -117.75 psf |
| Maximum Fastener Spacing | See Detail A | See Detail B |
| 1. Extrapolation shall not be allowed | | |



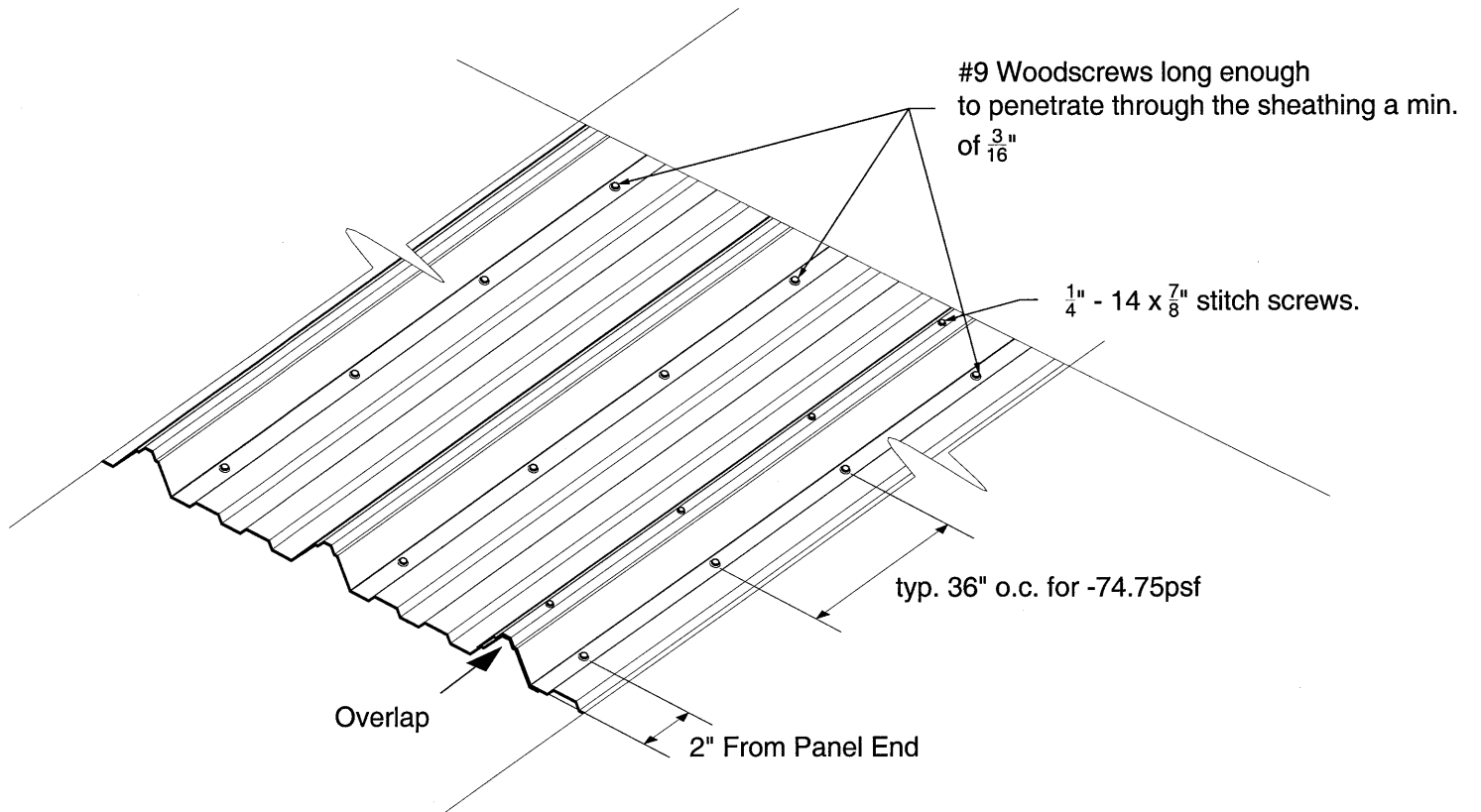
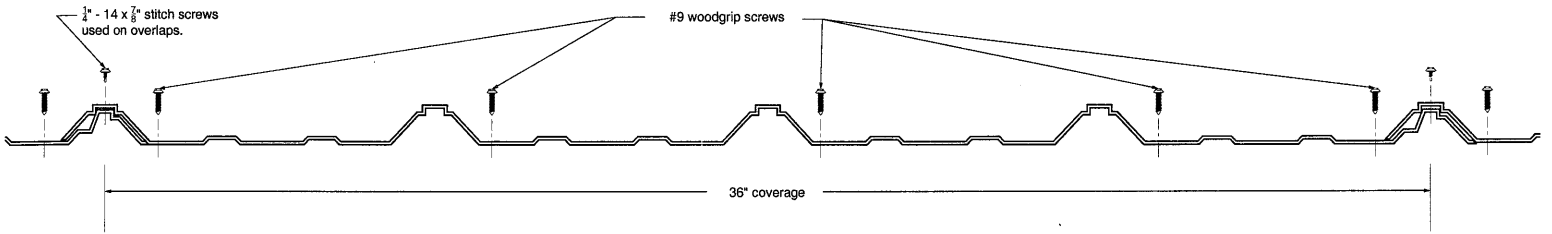
GENERAL LIMITATIONS:

1. Fire classification is not part of this acceptance; refer to a current Approved Roofing Materials Directory for fire ratings of this product.
2. Neither rational analysis, nor extrapolation shall be permitted for the maximum design pressures listed in the "Perimeter and Corner" roof areas as noted in Table "A" herein.
3. Panels shall be roll formed in continuous lengths from eave to ridge. Maximum lengths shall be as described in Roofing Application Standard RAS 133.
4. All panels shall be permanently labeled with the manufacturer's name or logo, city, state and the following statement: "Miami Dade County Product Control Approved".



DRAWINGS

DETAIL A

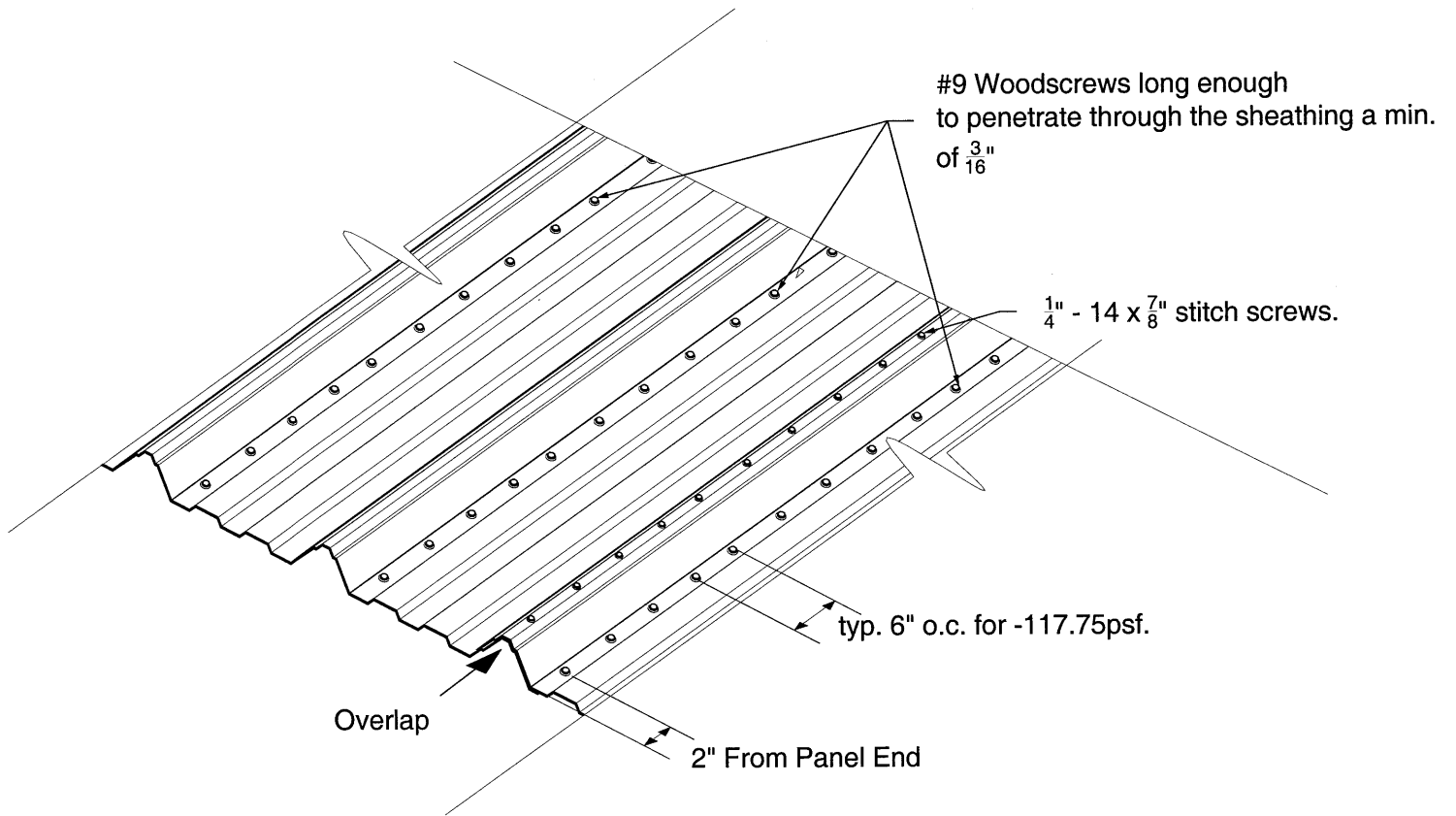
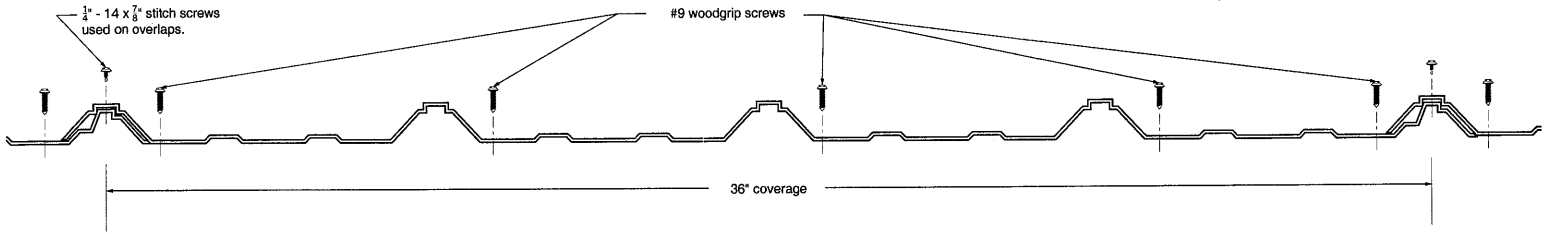


CLASSIC RIB PANEL



NOA No.: 06-0410.08
Expiration Date: 08/24/11
Approval Date: 08/24/06
Page 5 of 6

DETAIL B



CLASSIC RIB PANEL

END OF THIS ACCEPTANCE



NOA No.: 06-0410.08
Expiration Date: 08/24/11
Approval Date: 08/24/06
Page 6 of 6