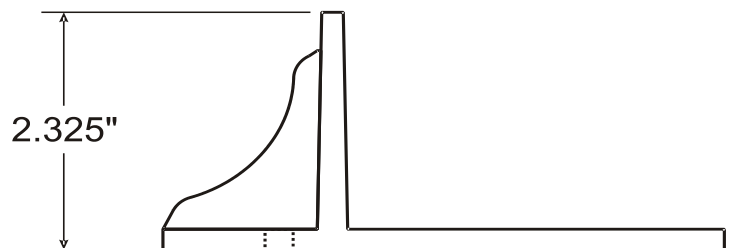
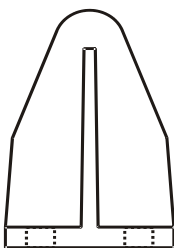
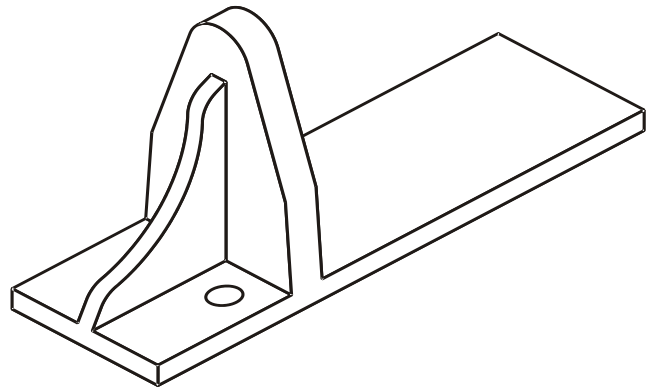
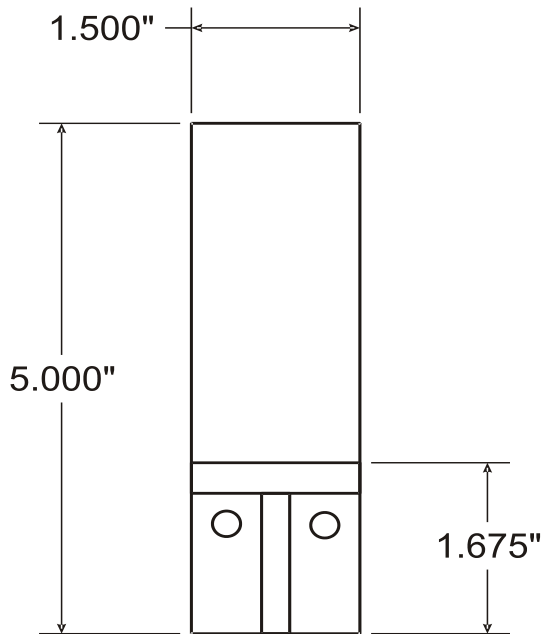


Z15 METAL ROOF SNOW GUARD

High quality polycarbonate snow guard designed for all types of metal roofing. Available in either clear or color injected in 53 different colors. Custom color matching is also available.



MATERIAL: Our Z15 Snow-Guard is manufactured using a Polycarbonate stronger than bullet-proof glass.

Treated with an ultraviolet stabilizer. Will resist temperature changes.

Available in clear or 53 colors.

TYPE OF ROOF: All metal roofs

FASTENING: -2- sided tape, sealant, screws