

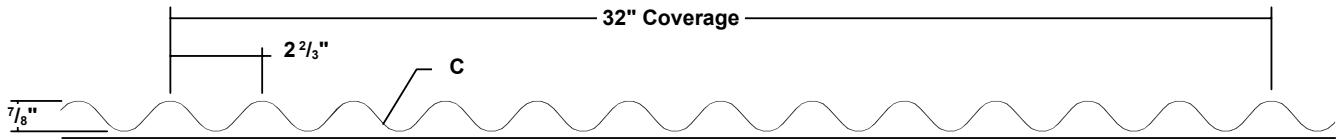
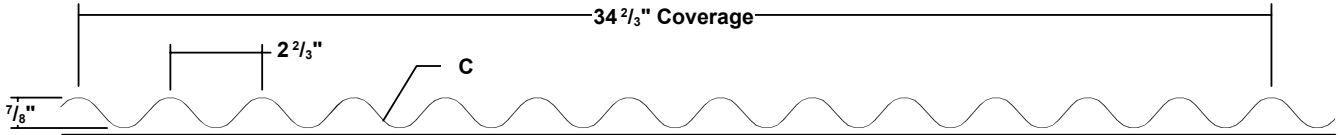


7/8" Corrugated Install Guide

800-728-4010
bestbuymetals.com

Product	Page No.
Panel Information	
7/8" Corrugated Panel Profiles.....	P7/8-2
Panel Overview	P7/8-2
Flashing Profiles	
Eave	P7/8-3
Cleat	P7/8-3
Box Gutter	P7/8-3
Box Gutter End	P7/8-3
Universal Gutter/Downspout Strap	P7/8-3
4" x 3 1/2" Downspout.....	P7/8-3
4" x 3 1/2" 90° Elbow.....	P7/8-3
Downspout Bracket	P7/8-3
Valley	P7/8-3
Rake	P7/8-3
Rakewall	P7/8-3
Pitch Break	P7/8-3
Counter Flashing	P7/8-3
Reglet Flashing.....	P7/8-3
Peak	P7/8-3
11" Ridge/Hip Cover	P7/8-4
Gravel Stop.....	P7/8-4
Outside Corner	P7/8-4
Inside Corner.....	P7/8-4
1.5" Sill/Head.....	P7/8-4
1.5" Sill to Soffit	P7/8-4
1.25" Base	P7/8-4
Jamb.....	P7/8-4
Accessory Profiles	
Universal Closure	P7/8-5
Tube Sealant	P7/8-5
Tape Sealant.....	P7/8-5
Rubber Roof Jack.....	P7/8-5
Retro Roof Jack.....	P7/8-5
Rubber Roof Flash Kit.....	P7/8-5
Touch-Up Paint.....	P7/8-5
Continuous Ridge Vent.....	P7/8-5
Louver with Screen.....	P7/8-5
7/8" Corrugated Closure.....	P7/8-5
Testing Information	
Section Properties (Roof Panel).....	P7/8-6
Section Properties (Roof Panel).....	P7/8-7
Design/Installation Considerations	
Fasting Patterns	P7/8-8

Product	Page No.
Detail Conditions	
Eave Detail	P7/8-9
Box Gutter Detail	P7/8-9
Valley Detail.....	P7/8-10
Rake Detail	P7/8-10
Rakewall Detail.....	P7/8-11
Endwall Detail.....	P7/8-11
Peak Detail	P7/8-12
Ridge/Hip Detail.....	P7/8-12
Gravel Stop Detail	P7/8-13
Outside Corner Detail.....	P7/8-13
Inside Corner Detail.....	P7/8-14
Jamb Detail.....	P7/8-14
Sill/Head Detail	P7/8-15
Base Detail	P7/8-15
Notes	
Notes	P7/8-16

ROOF PANEL PROFILE**WALL PANEL PROFILE****SLOPE**

The minimum recommended slope for any 7/8" Corrugated panel roofing panel is 1:12.

SUBSTRATE

7/8" Corrugated panel is designed to be utilized over open structural framing, but can easily be used with a solid substrate. For solid substrate applications, the recommended substrate is 3/8" plywood with a 30 pound felt moisture barrier. To avoid panel distortion, use a properly aligned and uniform substructure.

COVERAGE

7/8" Corrugated panel roof coverage is 32", and wall coverage is 34²/₃".

LENGTH

Lengths under 5'-0" are available with some cutting restrictions. Maximum recommended panel length is 45'-0". Longer panels require additional consideration in packaging, shipping, and erection. Please consult your Metal Sales branch for recommendations (see PGI-2 and 3 for locations).

AVAILABILITY

Panels are available in 26, 24, 22 Gauge. 20 Gauge optional. Minimum quantity may apply.

APPLICATION

Commercial, Industrial panel.

FASTENING SYSTEM

Direct fastened (exposed).

FASTENERS

The fastener selection guide should be consulted for choosing proper fasteners for specific applications. Quantity and type of fastener must meet necessary loading and code requirements (see PGI-12-14).

MATERIALS

Steel grade 50 for 26, 24, and 22 Gauge. Steel Grade 33 for 20 Gauge, per ASTM A-792.

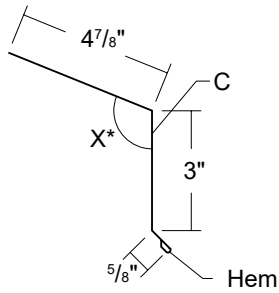
FINISH

- ▶ *Acrylic Coated Galvalume® (ACG) / ASTM A-792 - AZ55
- ▶ Prepainted Galvalume / ASTM A-792 - AZ50
- ▶ **Fluorocarbon (PVDF)

* Differential appearance of Acrylic Coated Galvalume roofing materials is not a cause for rejection.

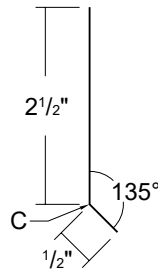
** Meets both Kynar 500 and Hylar 5000 specifications.

EAVE



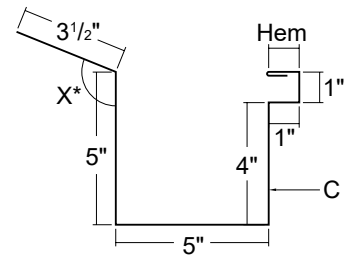
Length 10'-2" - *Specify Slope Angle

CLEAT



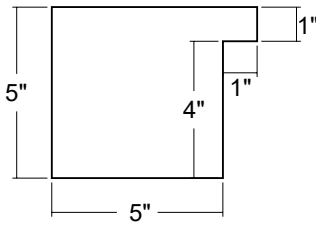
Length 10'-2"

BOX GUTTER

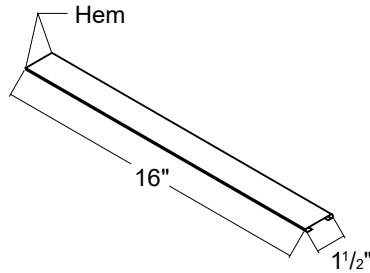


Length 10'-2", 20'-3" - *Specify Slope Angle

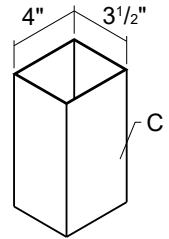
BOX GUTTER END



**UNIVERSAL GUTTER/
DOWNSPOUT STRAP**

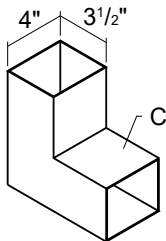


DOWNSPOUT 4" x 3 1/2"



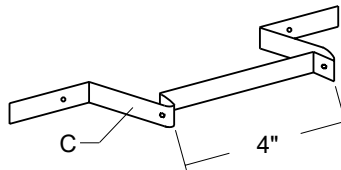
Length 10'-2", 20'-3"
(Also available 6" x 4")

95° ELBOW 4" x 3 1/2"



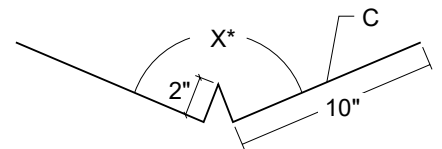
(Also available 6" x 4")
(Also available in 45°)

DOWNSPOUT BRACKET



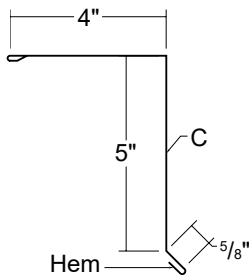
(Also available 6")

VALLEY



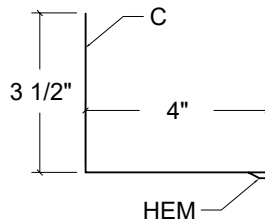
Length 10'-2", 20'-3" - *Specify Slope Angle

RAKE



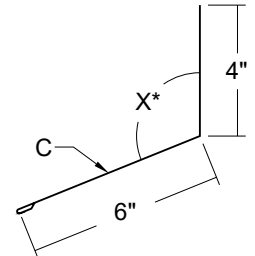
Length 10'-2", 20'-3"

RAKEWALL



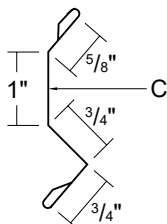
LENGTH 10'-2", 20'-3"

PITCH BREAK



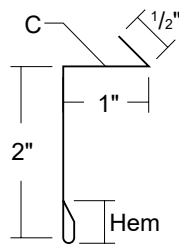
Length 10'-2" - *Specify Slope Angle

COUNTER FLASHING



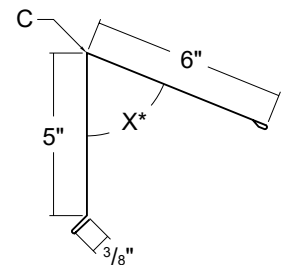
Length 10'-2"

REGLET FLASHING



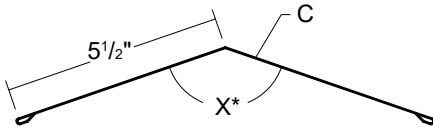
Length 10'-2"

PEAK



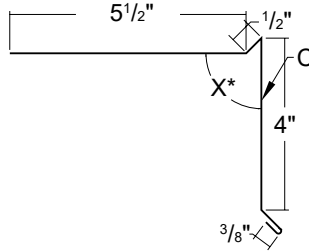
Length 10'-2", 20'-3" - *Specify Slope Angle

11" RIDGE/HIP COVER



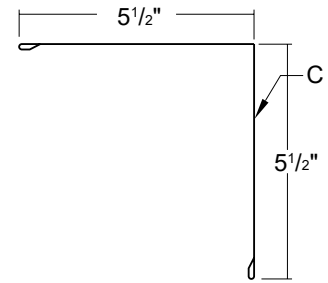
Length 10'-2", 20'-3" - *Specify Slope Angle

GRAVEL STOP



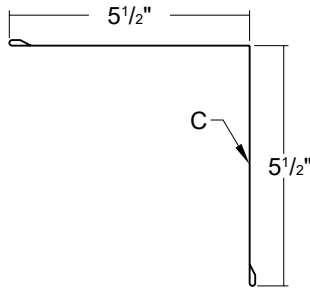
Length 10'-2", 20'-3" - *Specify Slope Angle

OUTSIDE CORNER



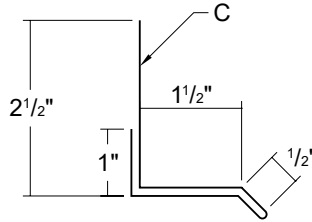
Length 10'-2", 20'-3"

INSIDE CORNER



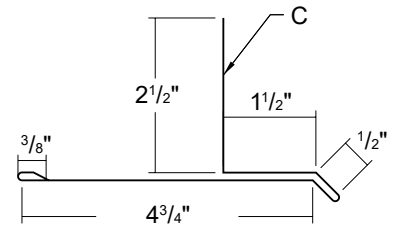
Length 10'-2", 20'-3"

1.5" SILL/HEAD



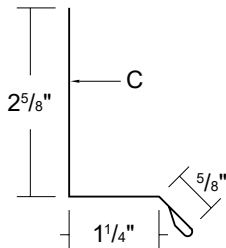
Length 10'-2"

1.5" SILL TO SOFFIT



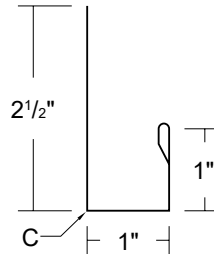
Length 10'-2"

1.25" BASE



Length 10'-2"

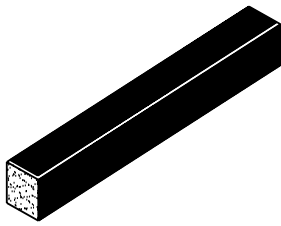
JAMB



Length 10'-2"

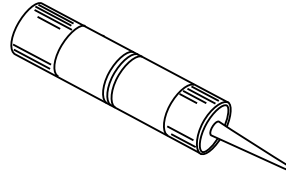
C- Indicates color side of flashing.

UNIVERSAL CLOSURE



1" x 1 1/2" x 50' Polyethylene Foam
1" x 1 1/2" x 10' Polyethylene Foam

TUBE SEALANT



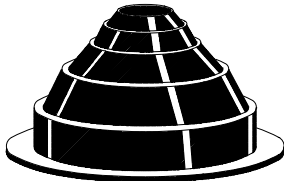
10.3 oz. Cartridge Urethane

TAPE SEALANT



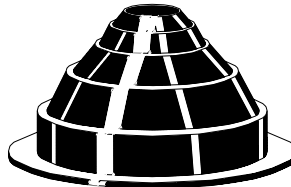
3/8" X 3/32" X 50'
Single Bead Butyl - Gray

RUBBER ROOF JACK



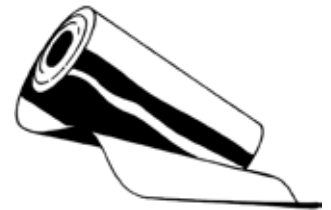
MINI (1/4" to 1 1/8" O.D. Pipe)
#2 (1 3/4" to 3" O.D. Pipe)
#4 (3" to 6" O.D. Pipe)
#6 (6" to 9" O.D. Pipe)
#8 (7" to 13" O.D. Pipe)

RETRO ROOF JACK



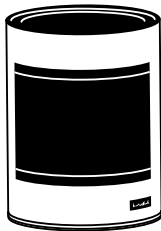
#801_{RETRO} (3/4" to 2 3/4" O.D. Pipe)
#802_{RETRO} (2" to 7 1/4" O.D. Pipe)
#803_{RETRO} (3 1/4" to 10" O.D. Pipe)

RUBBER ROOF FLASH KIT



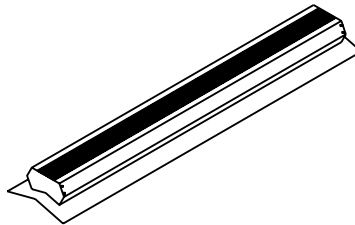
12" x 50'-0" Flash Kit
18" x 50'-0" Flash Kit

TOUCH-UP PAINT



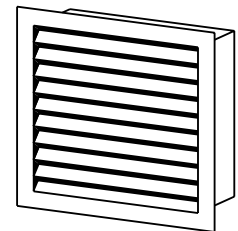
Available in pints
PVDF / MS Colorfast45

CONTINUOUS RIDGE VENT



9" X 10'-0"
12" X 10'-0"

LOUVER WITH SCREEN

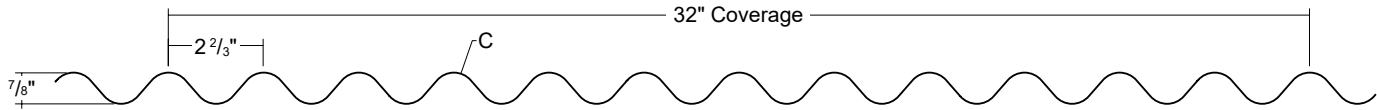


3'-0" X 3'-0"
3'-0" X 4'-0"

CORRUGATED CLOSURE



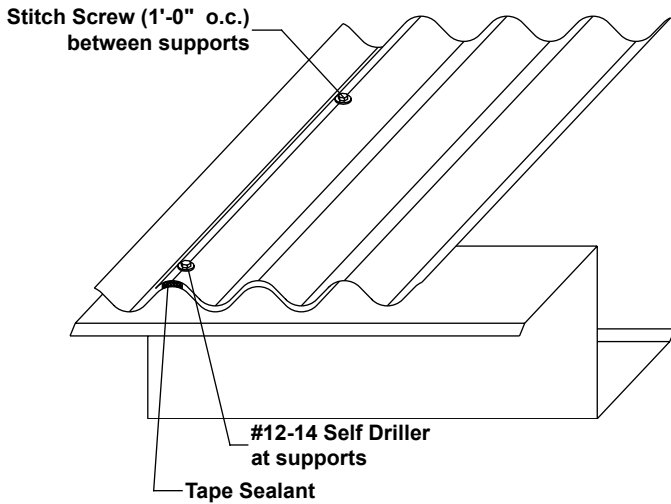
Polyethylene Foam



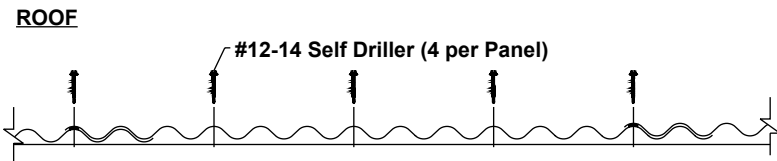
SECTION PROPERTIES								ALLOWABLE UNIFORM LIVE LOADS PSF (3 or More Equal Spans)											
Ga.	Width (in.)	Yield KSI	Weight PSF	Top in Compression		Bottom in Compression		Inward Load					Outward Load						
				Ixx In ⁴ /ft	Sxx In ³ /ft	Ixx In ⁴ /ft	Sxx In ³ /ft	2'	2.5'	3'	3.5'	4'	5'	2'	2.5'	3'	3.5'	4'	5'
26	32"	80	1.02	0.0278	0.0624	0.0278	0.0624	418	272	170	107	72	37	418	272	170	107	72	37
24	32"	50	1.33	0.0338	0.0801	0.0338	0.0801	156	143	131	113	99	80	156	143	131	113	99	80
22	32"	50	1.73	0.0450	0.1029	0.0450	0.1029	574	373	262	173	116	59	574	373	262	173	116	59
20	32"	33	2.11	0.0525	0.1234	0.0525	0.1234	454	295	207	153	117	69	454	295	207	153	117	69

1. Section properties and allowable loads are calculated per AISI 2001 including 2004 Supplement.
2. Ixx and Sxx are effective section properties for deflection and bending
3. Allowable loads/spans are calculated considering bending, shear, combined bending and shear and deflection.
4. Allowable loads/spans calculations do not include consideration for web crippling, fastener / connection limitations or uplift testing.
5. Allowable loads/spans do not include a 1/3 stress increase.
6. Allowable loads for 24 ga on 16 ga purlins are based on ASTM E 1592 test results.

ROOF ATTACHMENT



FASTENING PATTERNS



GENERAL INFORMATION

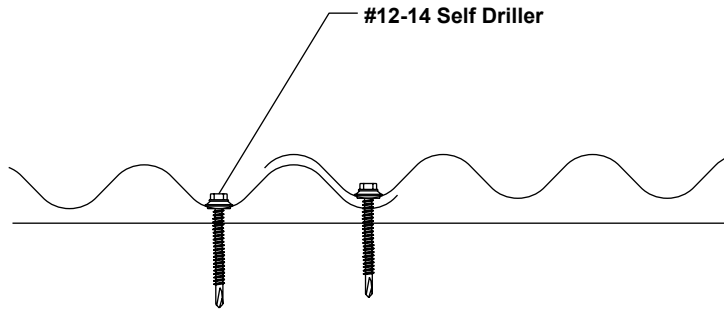
- **Slope**
The minimum recommended slope for 7/8" Corrugated roofing panel is 1:12.
- **Substructure**
7/8" Corrugated panel is designed to be utilized over open structural framing but can easily be used with a solid substrate. To avoid panel distortion use a properly aligned and uniform substructure.
- **Coverage**
7/8" Corrugated panel has a coverage width of 32"
- **Length**
Minimum factory cut length is 3'-0". Maximum recommended panel length is 45'-0". Longer panels require additional consideration in packaging, shipping, and erection. Please consult Metal Sales for recommendations.
- **Fastener**
The fastener selection guide should be consulted for choosing the proper fastener for specific applications. Quantity and type of fastener must meet necessary loading and code requirements
NOTE: All panels are subject to surface distortion due to improperly applied fasteners. Overdriven fasteners will cause stress and induce oil canning across the face of the panel at or near the point of attachment.
- **Availability**
Finishes: Bare galvanized, MS Colorfast45®, PVDF, Weathering Steel, and Acrylic Coated Galvalume®
Gauges: 26ga and 24ga standard, 22ga and 20ga optional



SECTION PROPERTIES								ALLOWABLE UNIFORM LIVE LOADS PSF (3 or More Equal Spans)											
Ga.	Width (in.)	Yield KSI	Weight PSF	Top in Compression		Bottom in Compression		Inward Load				Outward Load							
				Ixx In ⁴ /ft	Sxx In ³ /ft	Ixx In ⁴ /ft	Sxx In ³ /ft	2'	3'	4'	5'	6'	7'	2'	3'	4'	5'	6'	7'
26	34.67"	80	0.94	0.0255	0.0580	0.0255	0.0580	386	156	66	34	20	8	386	156	66	34	20	8
24	34.67"	50	1.22	0.0330	0.0744	0.0330	0.0744	175	151	127	102	78	30	175	151	127	102	78	30
22	34.67"	50	1.60	0.0413	0.0956	0.0413	0.0955	530	241	107	55	32	13	530	241	107	55	32	13
20	34.67"	33	1.95	0.0488	0.1146	0.0488	0.1146	419	191	108	64	37	16	419	191	108	64	37	16

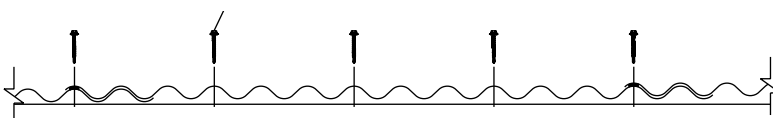
1. Section properties and allowable loads are calculated per AISI 2001 including 2004 Supplement.
2. Ixx and Sxx are effective section properties for deflection and bending
3. Allowable loads/spans are calculated considering bending, shear, combined bending and shear and deflection.
4. Allowable loads/spans calculations do not include consideration for web crippling, fastener / connection limitations or uplift testing.
5. Allowable loads/spans do not include a 1/3 stress increase.
6. Allowable loads for 24 ga. are based on ASTM E 330 test results attaching to 16 ga. girts

WALL ATTACHMENT



FASTENING PATTERN

WALL



GENERAL INFORMATION

► **Substructure**

7/8" Corrugated panel is designed to be utilized over open structural framing but can easily be used with a solid substrate. To avoid panel distortion use a properly aligned and uniform substructure.

► **Coverage**

7/8" Corrugated panel has a coverage width of 34 2/3"

► **Length**

Minimum factory cut length is 3'-0". Maximum recommended panel length is 45'-0". Longer panels require additional consideration in packaging, shipping, and erection. Please consult Metal Sales for recommendations.

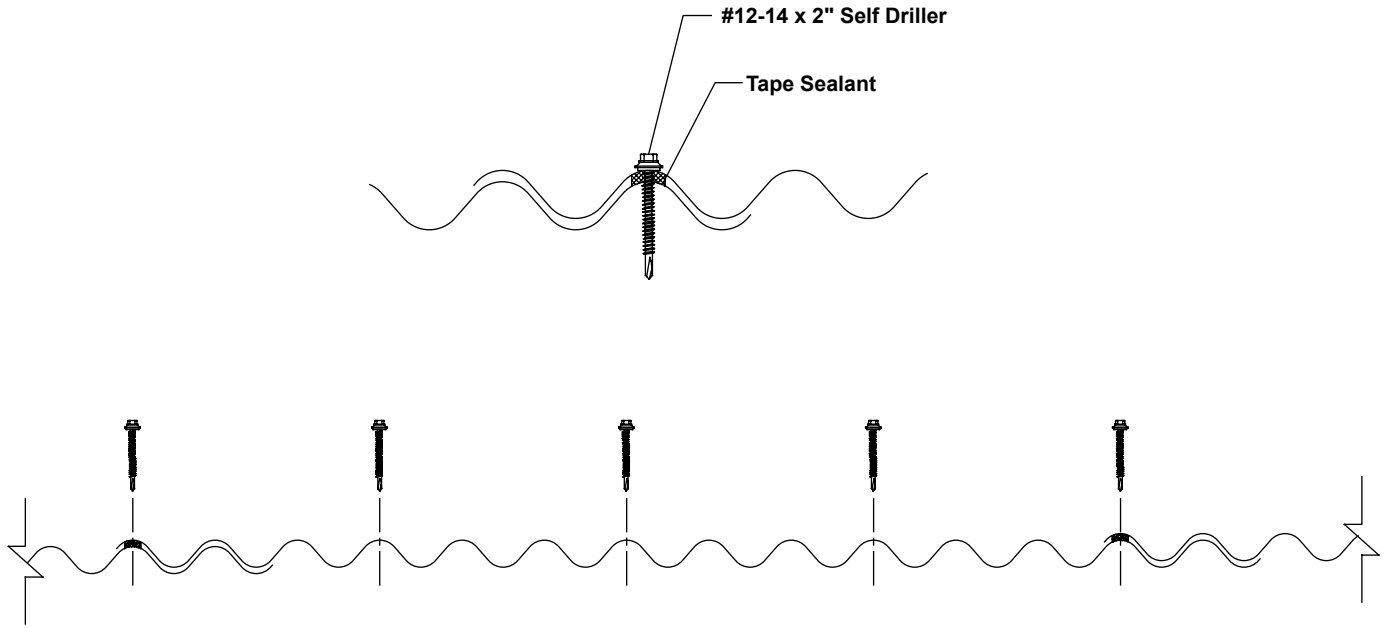
► **Fastener**

The fastener selection guide should be consulted for choosing the proper fastener for specific applications. Quantity and type of fastener must meet necessary loading and code requirements
NOTE: All panels are subject to surface distortion due to improperly applied fasteners. Overdriven fasteners will cause stress and induce oil canning across the face of the panel at or near the point of attachment.

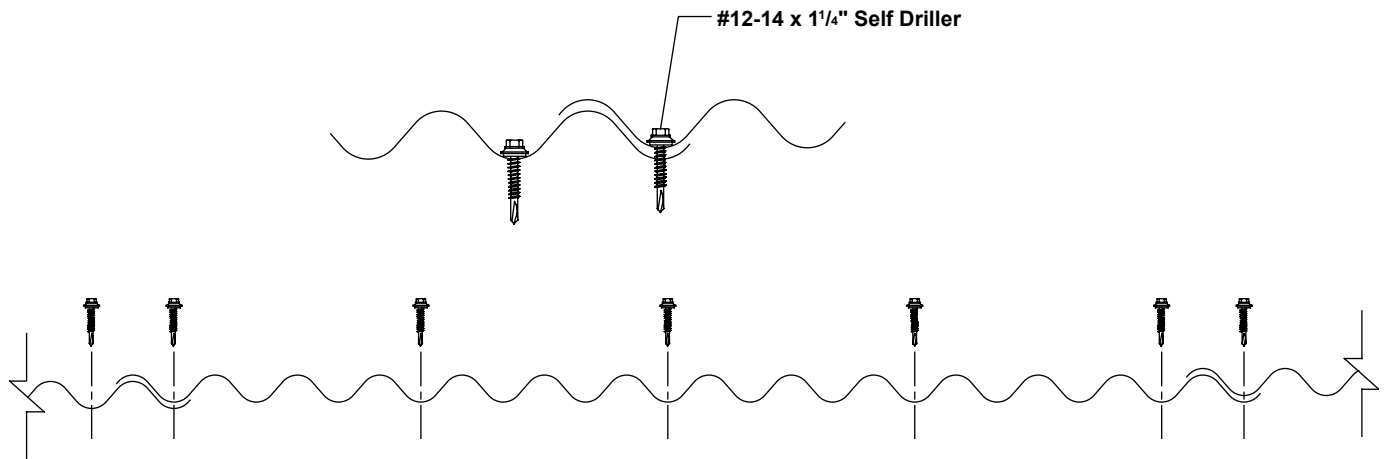
► **Availability**

Finishes: Bare galvanized, MS Colorfast45®, PVDF, Weathering Steel, and Acrylic Coated Galvalume®
Gauges: 26ga, 24ga, 22ga, and 20ga

ROOF PANEL FASTENING PATTERN

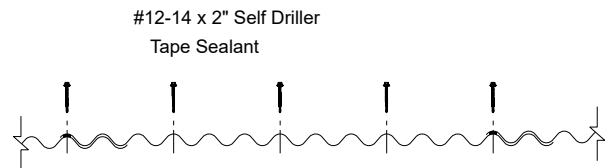
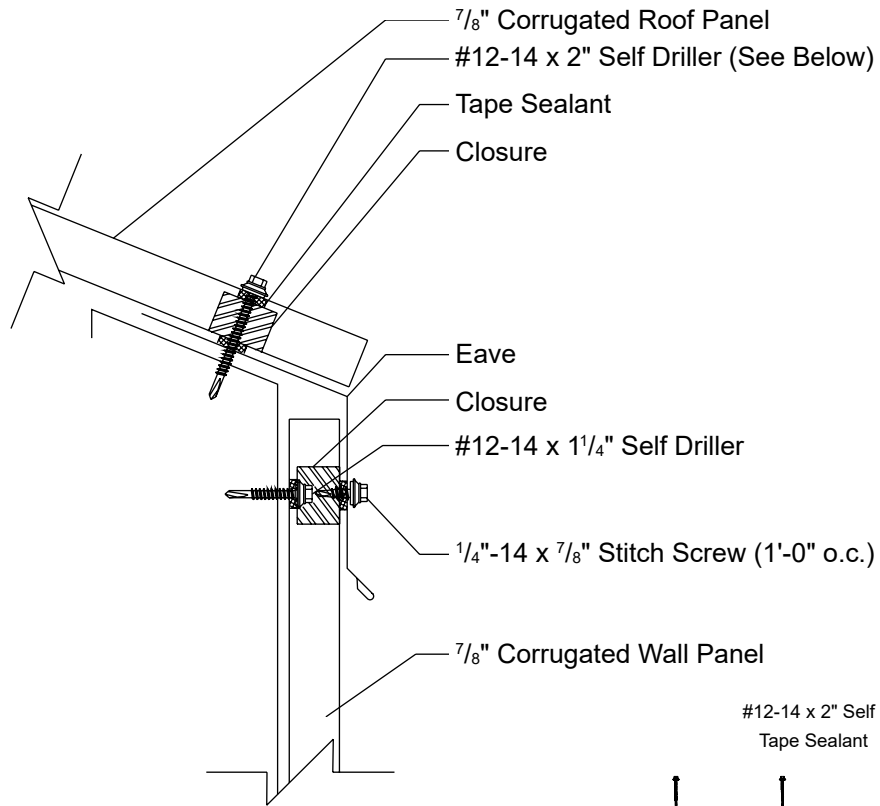


WALL PANEL FASTENING PATTERN



7/8" CORRUGATED EAVE DETAIL

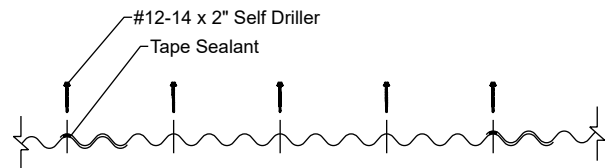
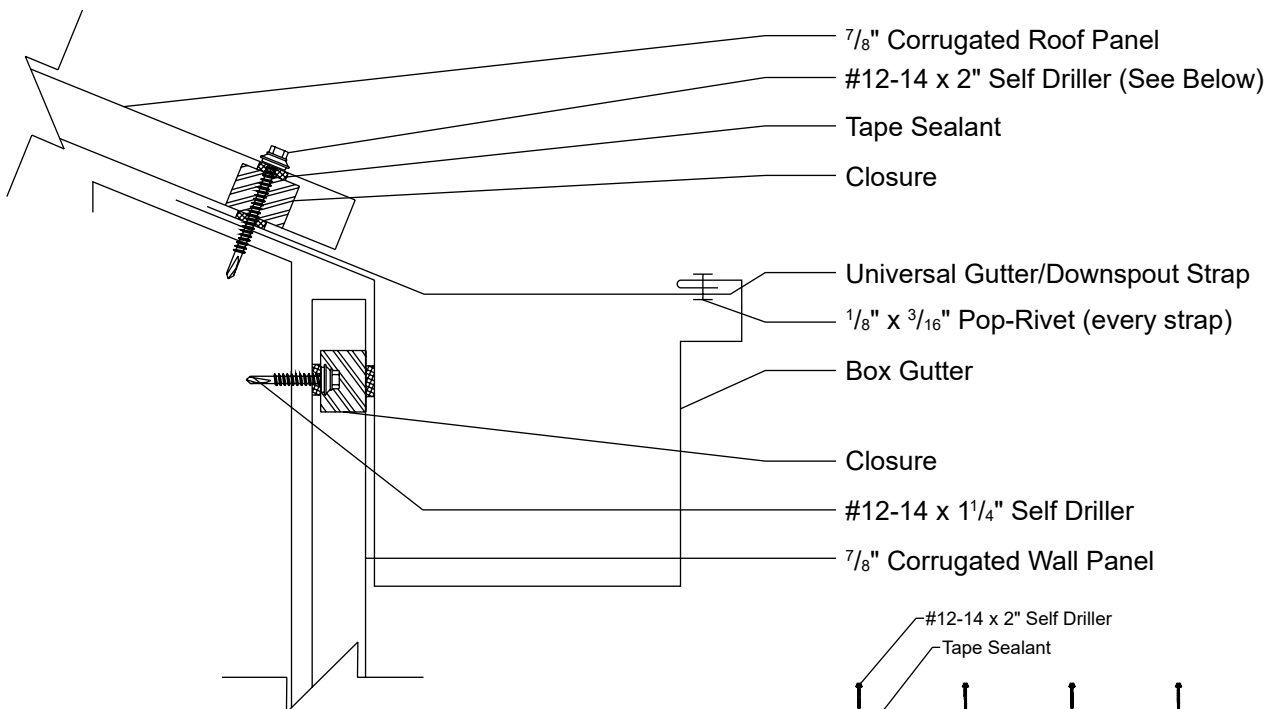
**1:12 Slope
Minimum**



7/8" Corrugated Roof Fastening Pattern

7/8" CORRUGATED BOX GUTTER DETAIL

**1:12 Slope
Minimum**

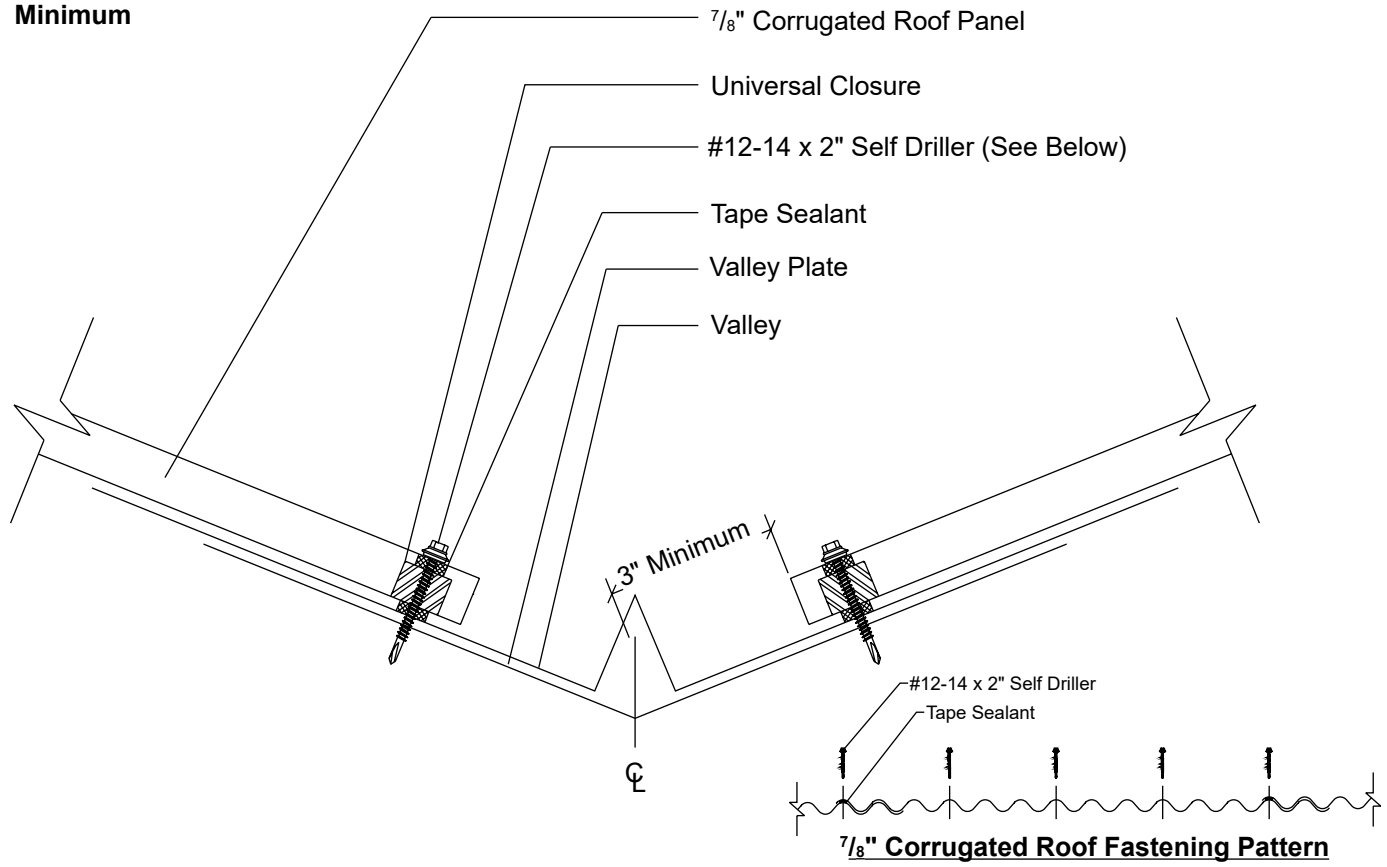


7/8" Corrugated Roof Fastening Pattern

7/8" CORRUGATED

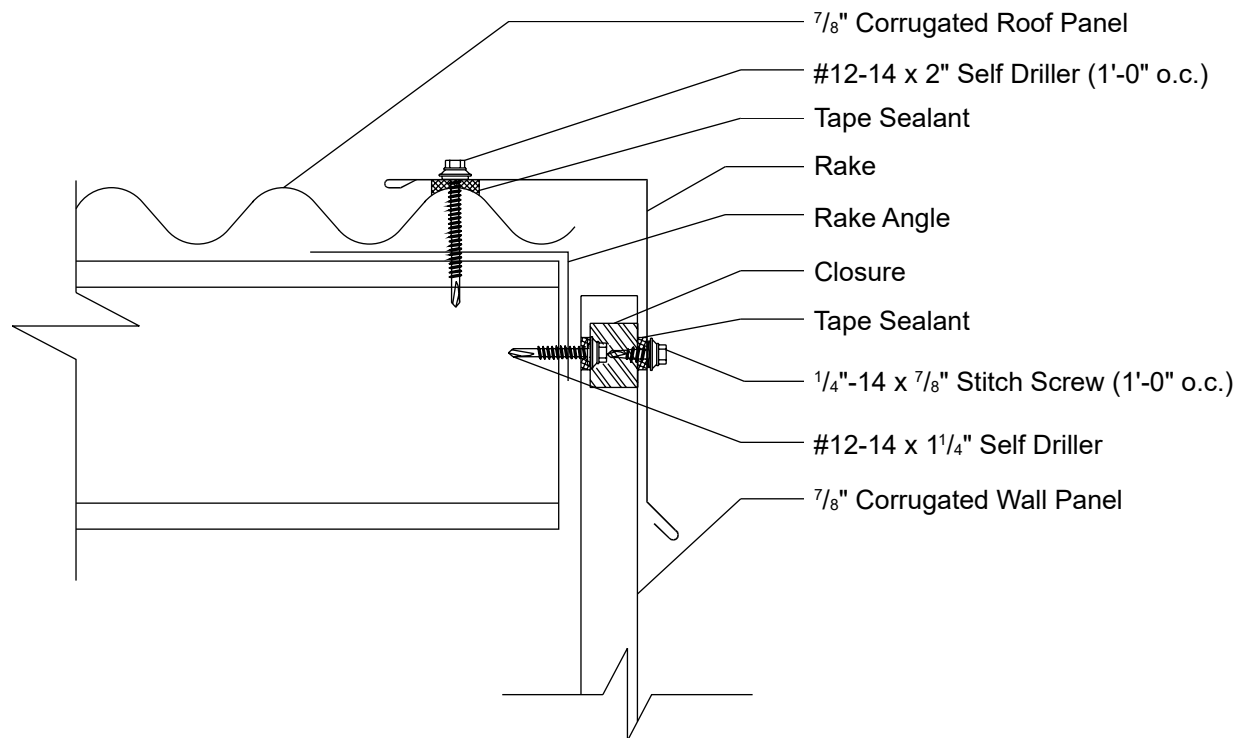
VALLEY DETAIL

1:12 Slope
Minimum



7/8" CORRUGATED

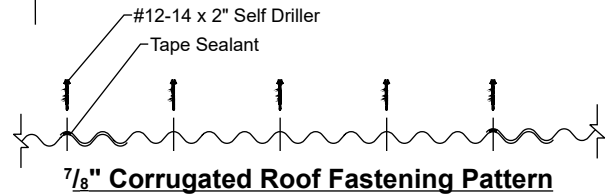
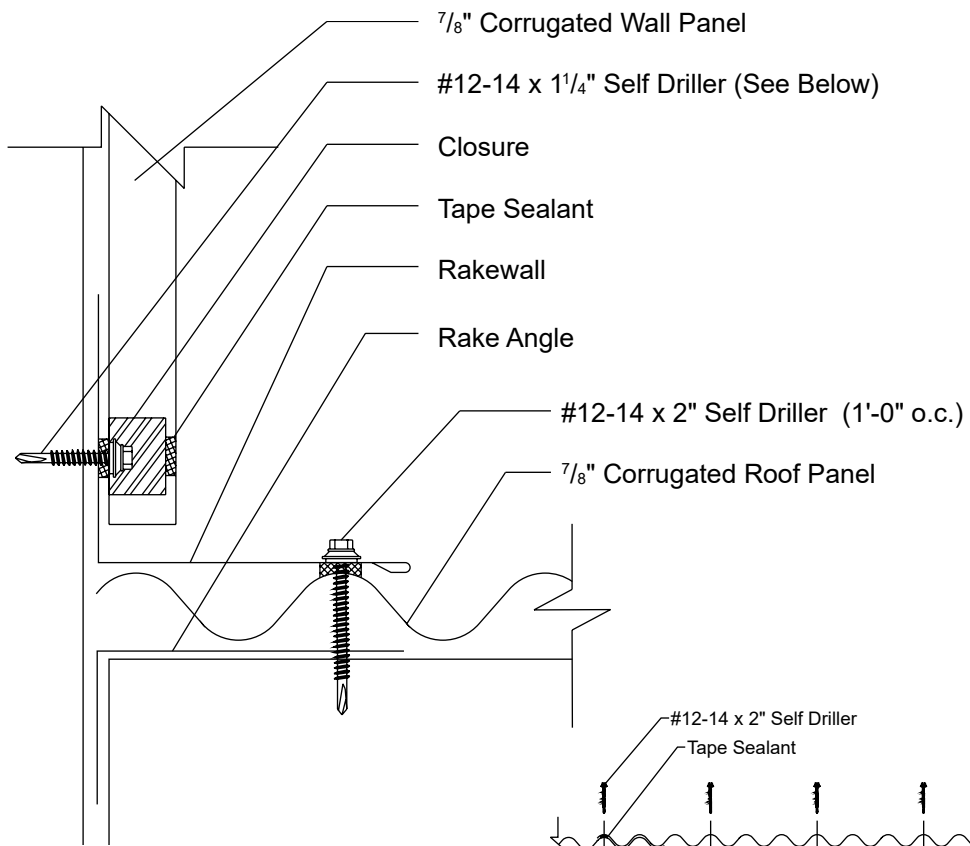
rake DeTail



7/8" CORRUGATED

RAKEWALL WITH WALL PANEL DETAIL

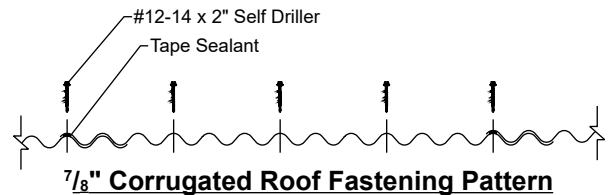
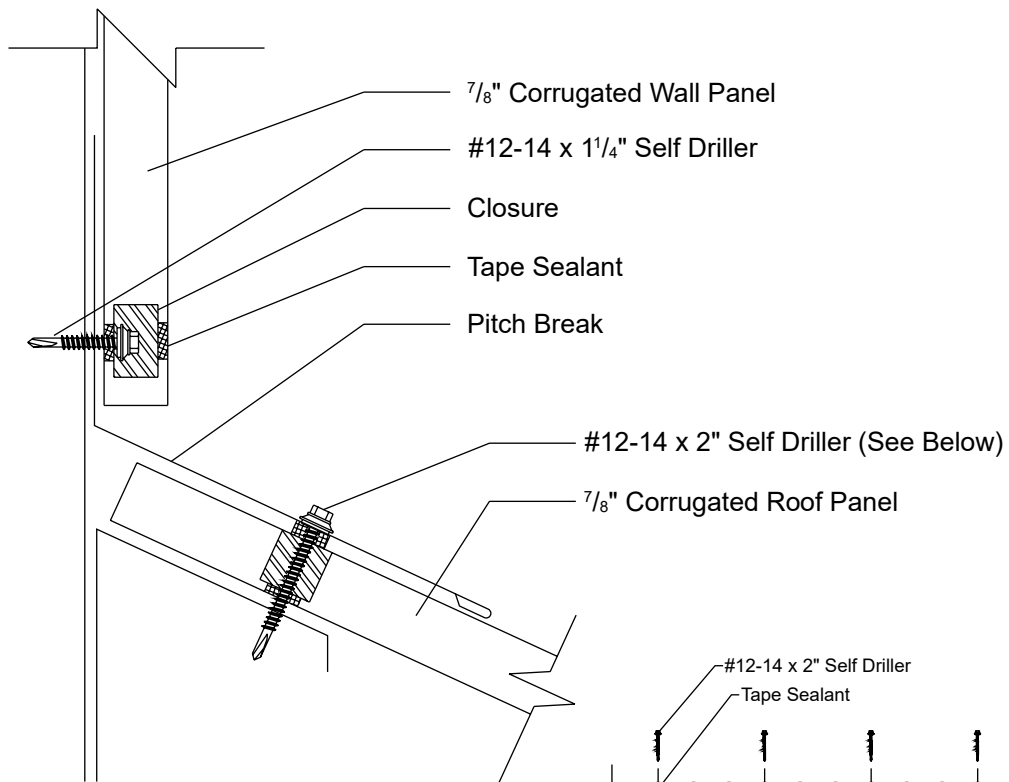
1:12 Slope
Minimum



7/8" CORRUGATED

ENDWALL WITH WALL PANEL DETAIL

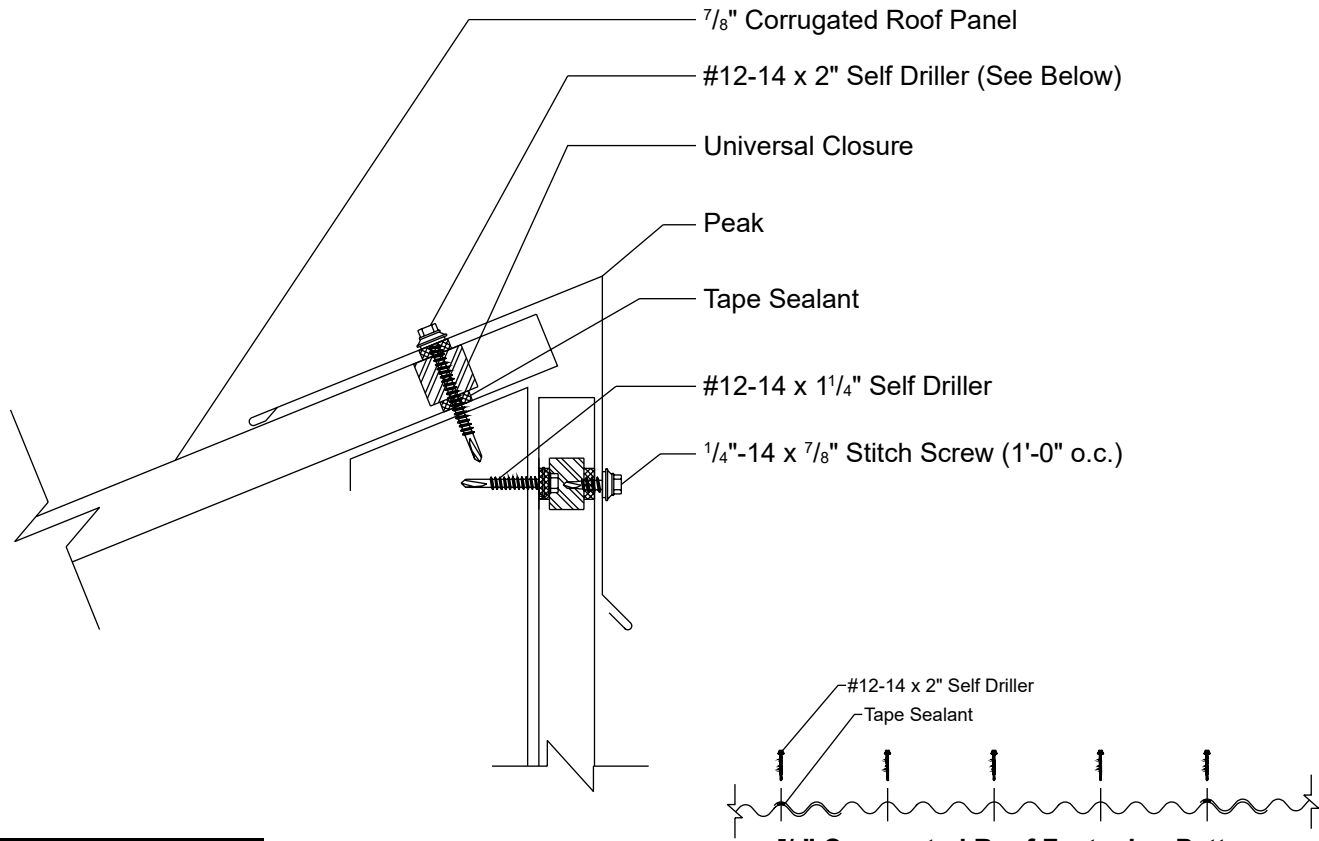
1:12 Slope
Minimum



7/8" CORRUGATED

PEAK DETAIL

1:12 Slope
Minimum

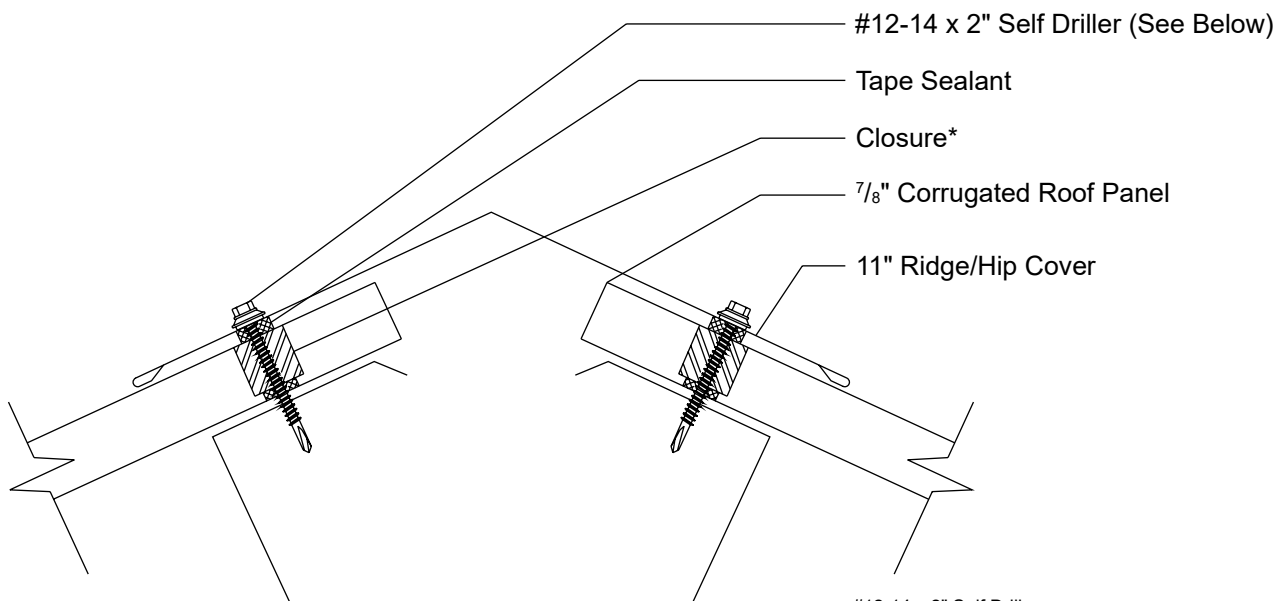


7/8" Corrugated Roof Fastening Pattern

7/8" CORRUGATED

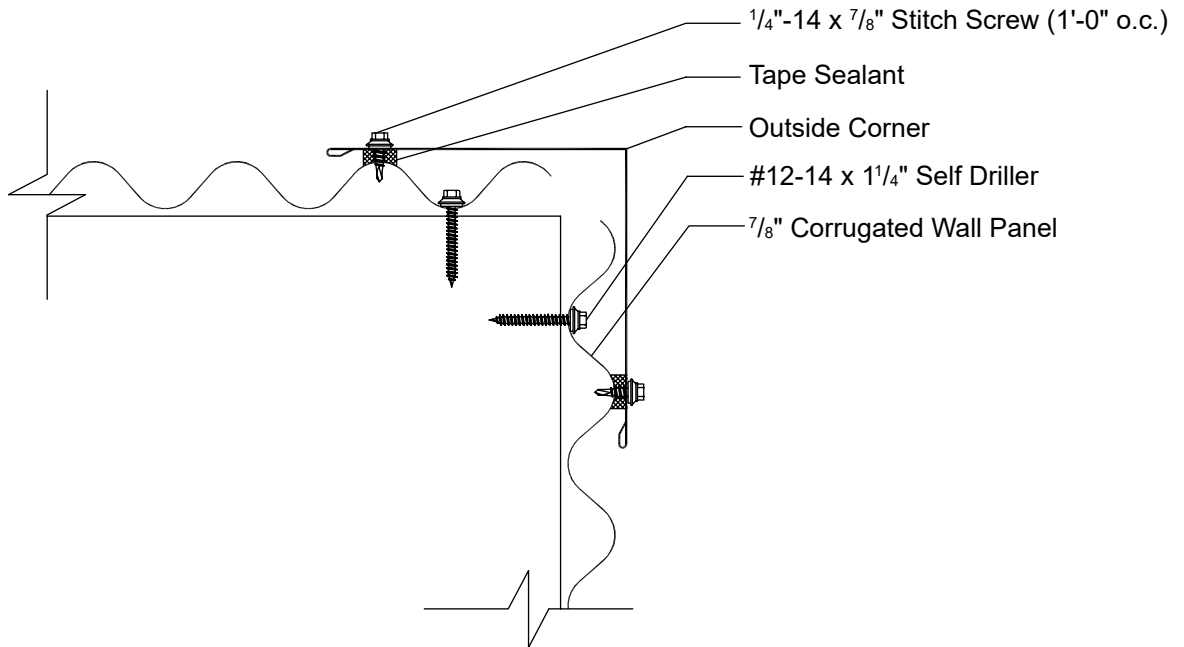
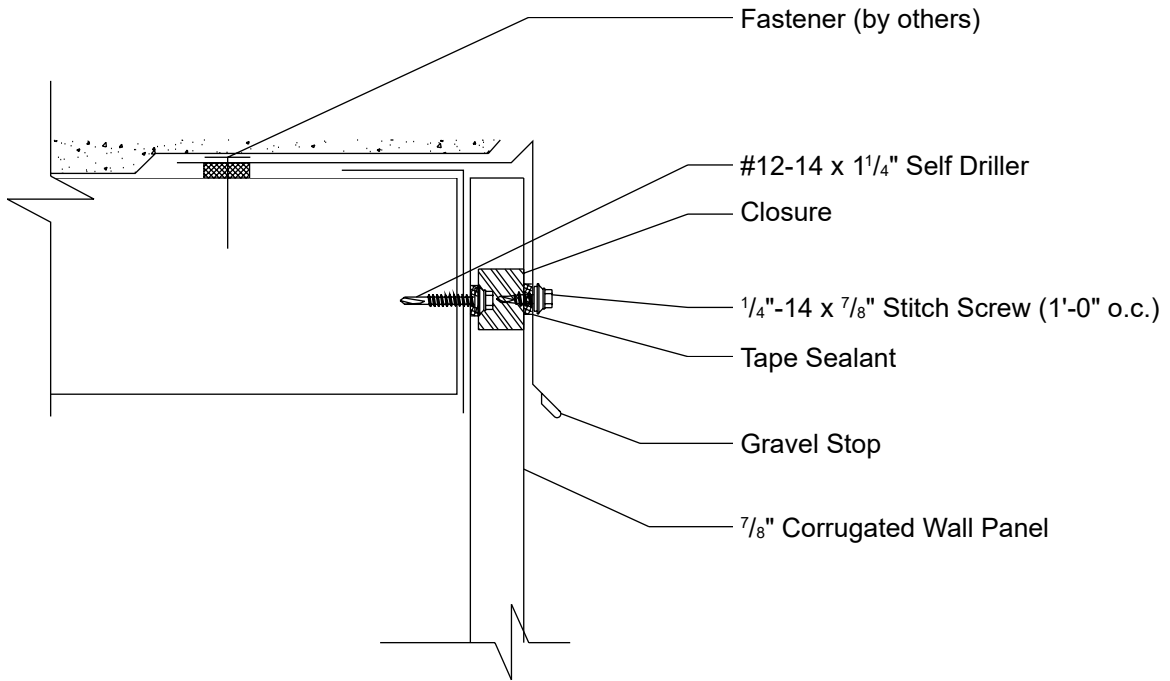
RIDGE/HIP DETAIL

1:12 Slope
Minimum



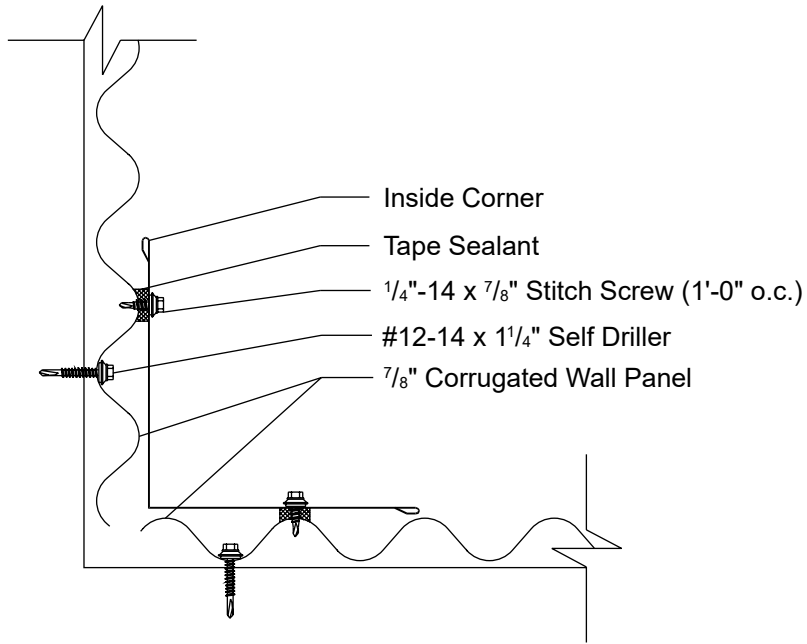
* Standard Formed Closure for ridge.
Universal Closure for hip.

7/8" Corrugated Roof Fastening Pattern



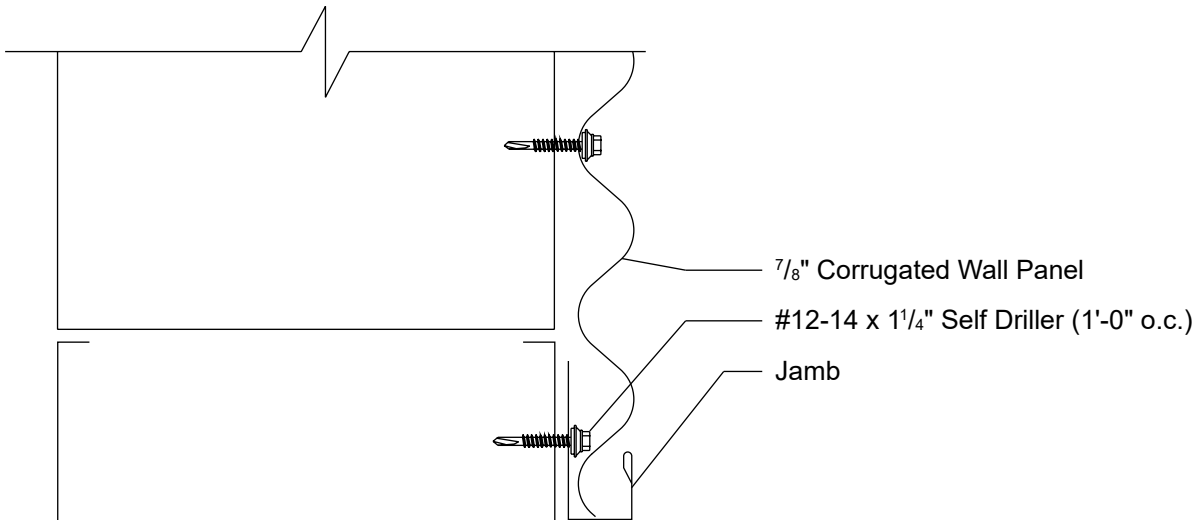
7/8" CORRUGATED

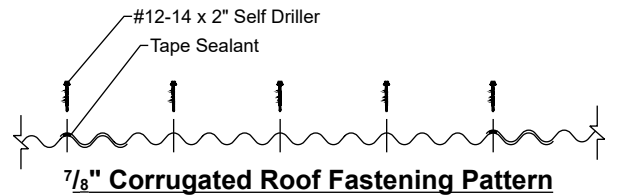
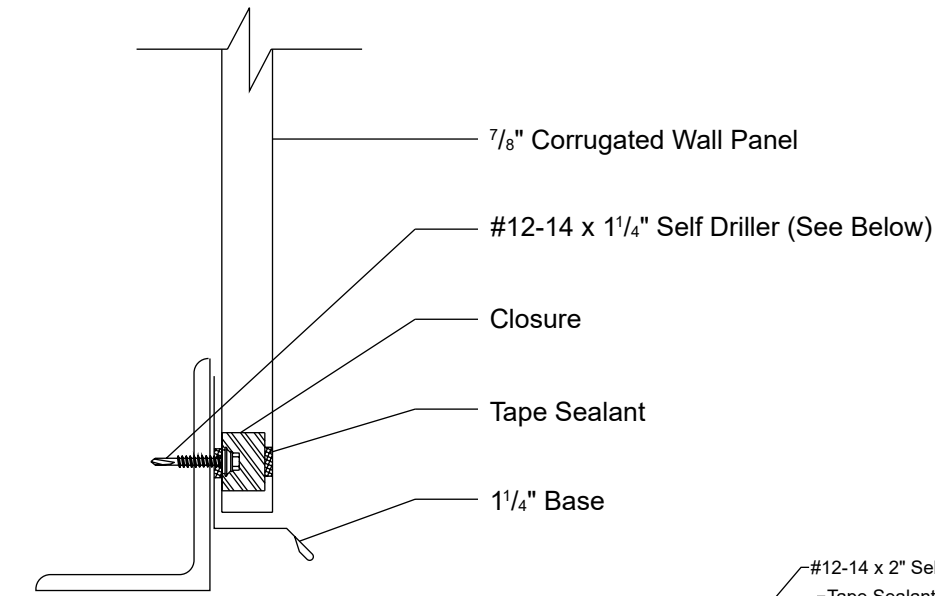
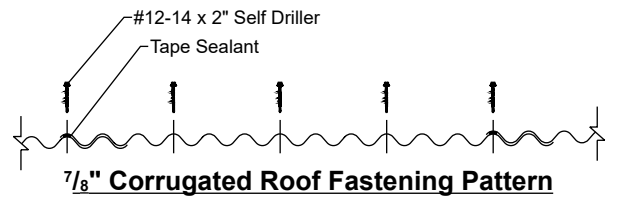
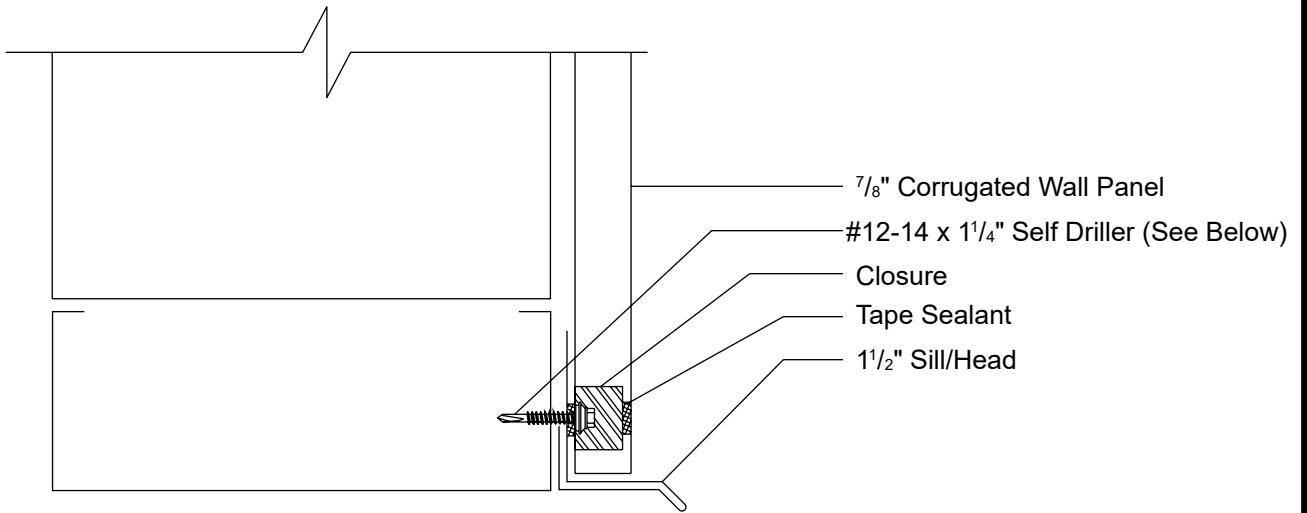
INSIDE CORNER DETAIL



7/8" CORRUGATED

JAMB DETAIL







Metal Roofing, Nationwide

800-728-4010
bestbuymetals.com